



CALM – CollABorating network of Large electric Machines

PhD student: Giovanni Zanuso

Period: 11-2016 to 11-2021

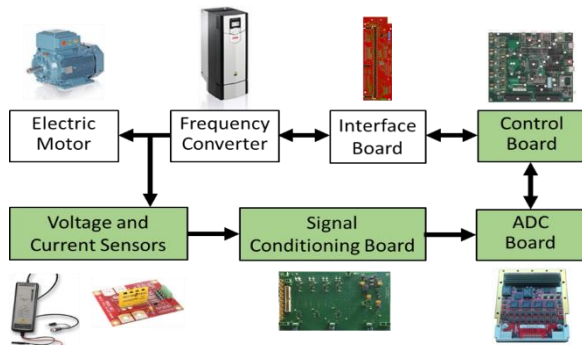


▶ Objectives:

- ▶ Cross-disciplinary project (electric machines and communication networks), in line with “Industry 4.0” and “Internet of Things” efforts.
- ▶ Condition monitoring of electric machines with stator winding faults.
- ▶ Evaluation of data exchange in industrial networks with electric drives.

▶ Collaborations and funding:

- ▶ ABB, Imagimob, LumenRadio and Ericsson (with Vinnova); Scania (with SEC).



▶ Results so far:

- ▶ Study on condition-monitoring data exchange in industrial networks.
- ▶ Analysis of high-frequency oscillations in stator currents after commutations.
- ▶ Experimental test bench with high-frequency sampling capabilities (125 MHz).