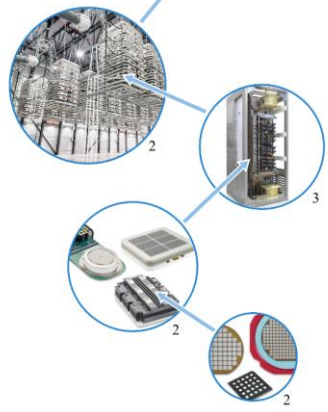


SiC-based converter cells

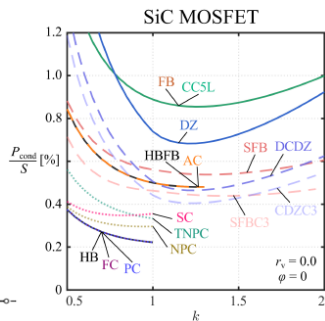
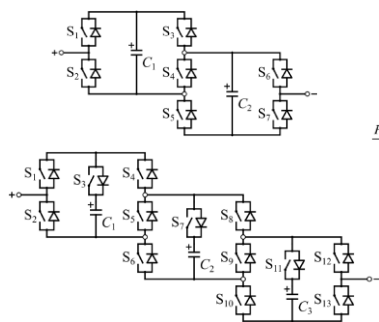


Objectives

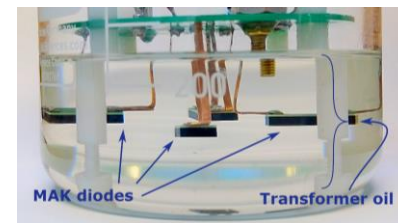
Investigate benefits of HVDC voltage source converters using silicon carbide power semiconductor devices.



Submodule Topologies



Bipolar SiC



SiC MOSFETs

