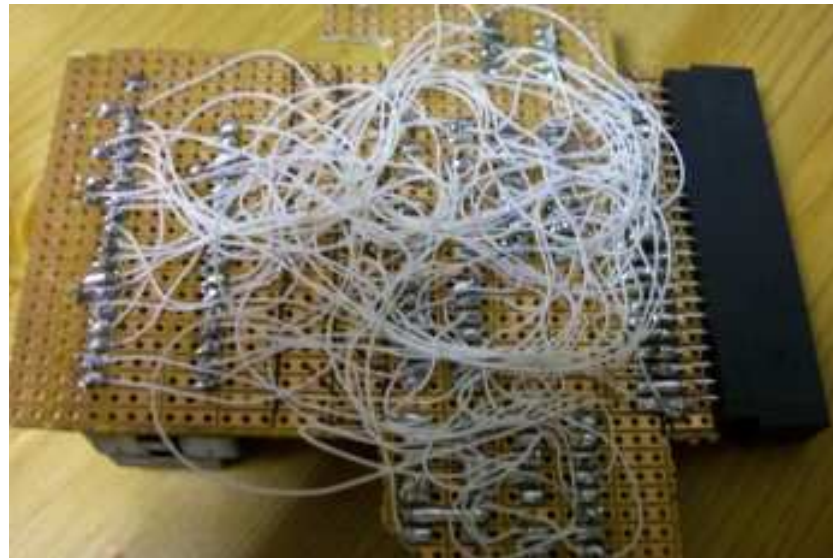
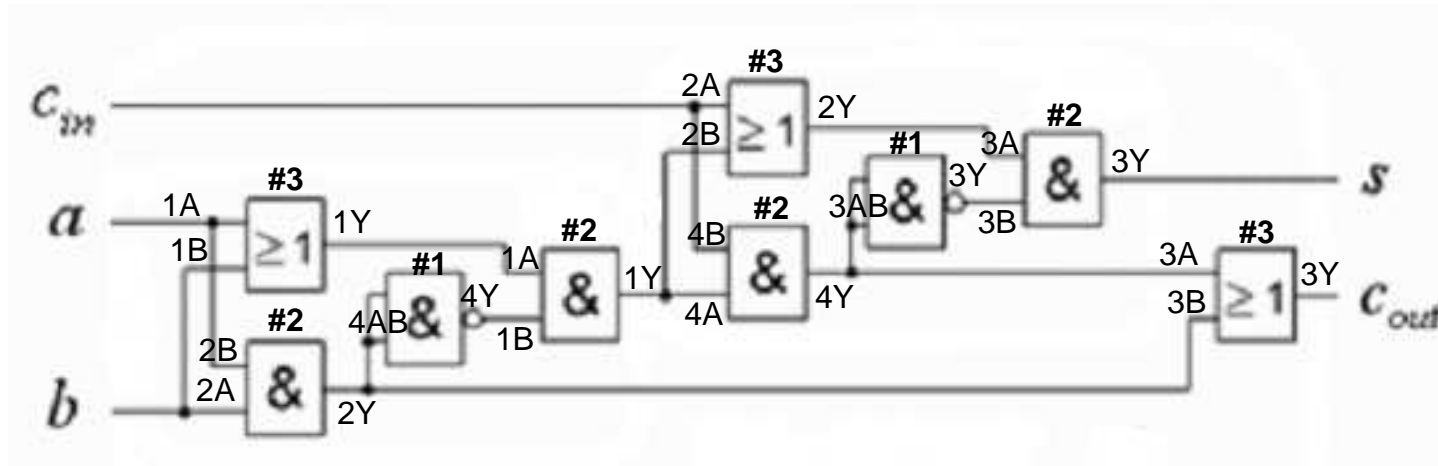
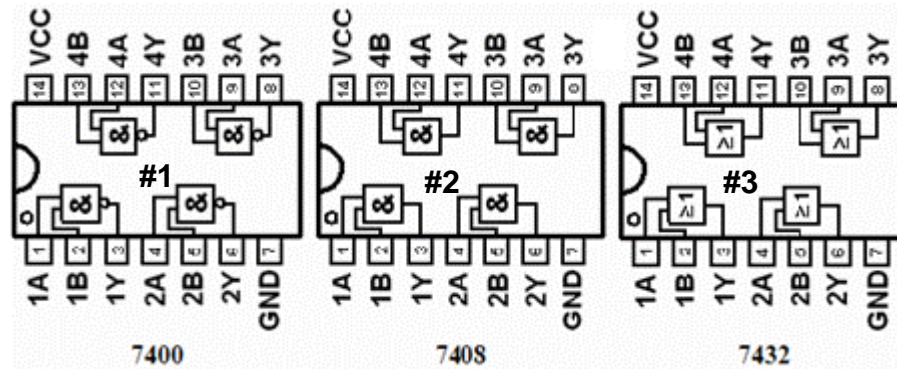


How can an electronics engineer keep track on all wires?

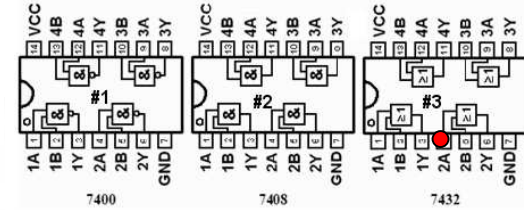
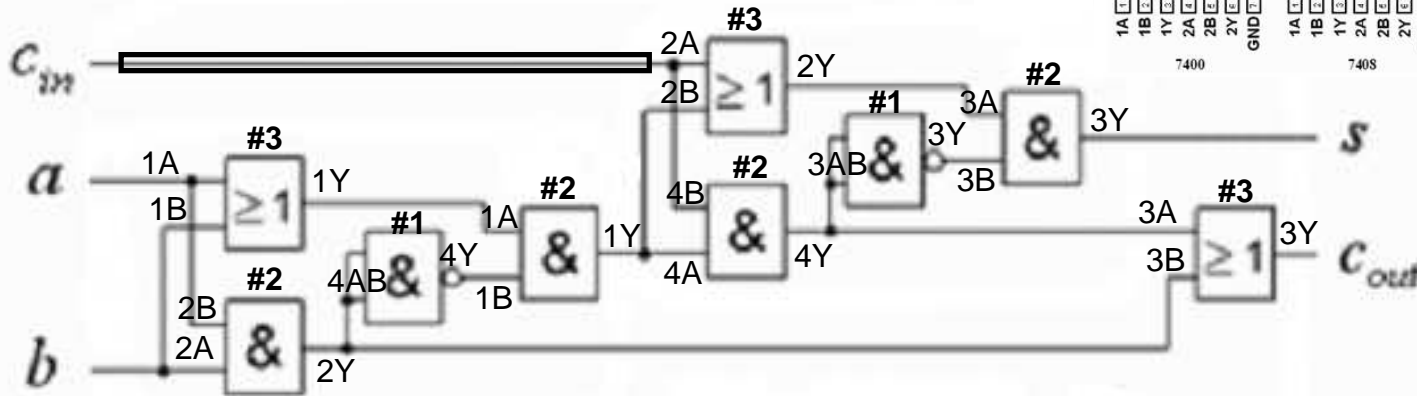


- Choose what gates to use and enumerate the **chips** and **inputs** and **outputs** in the schematic.

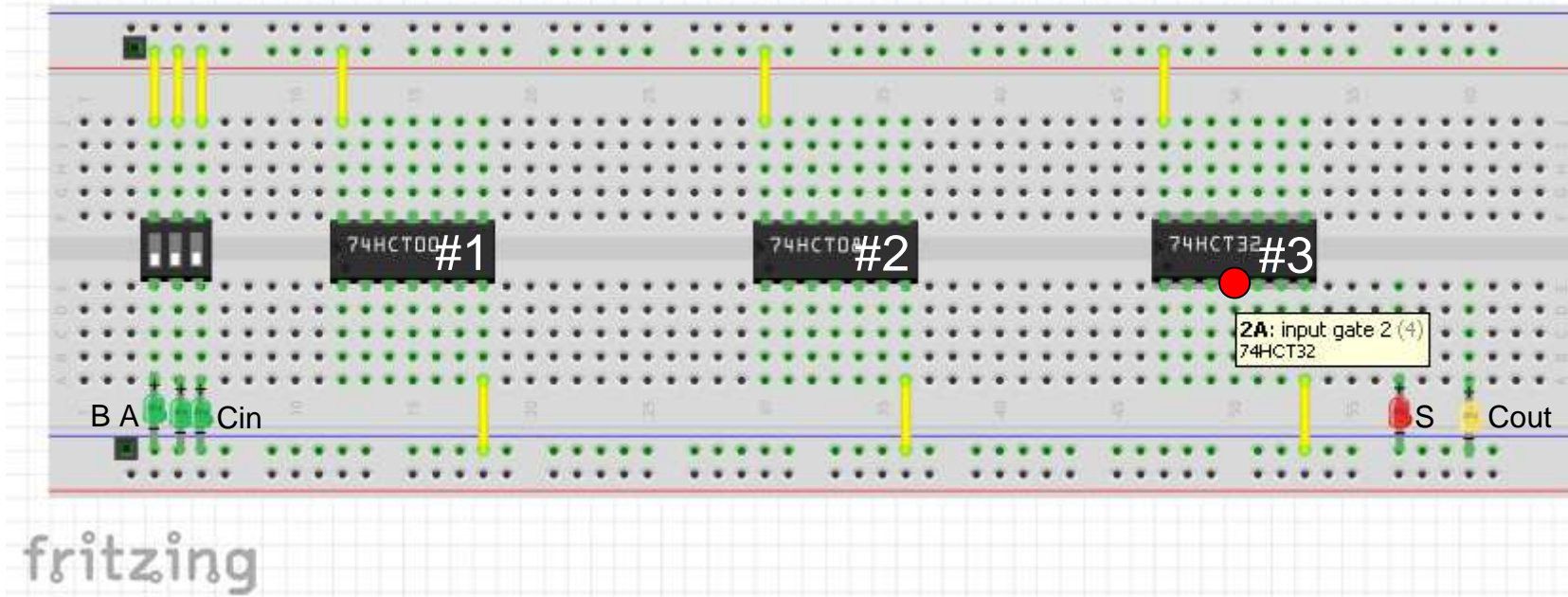


This is how to prepare before lab.

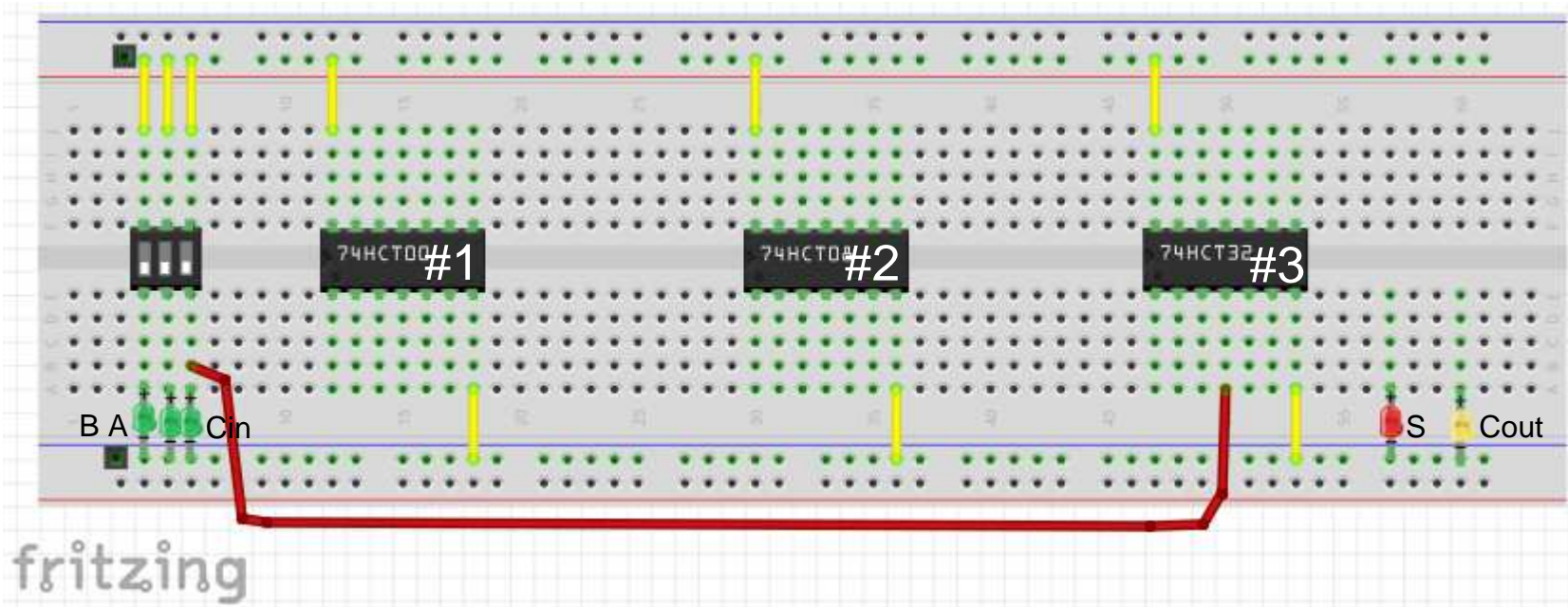
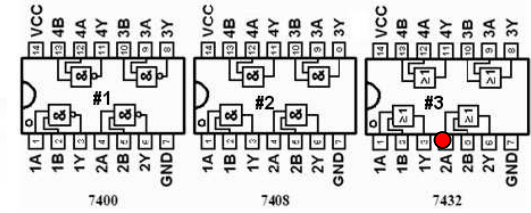
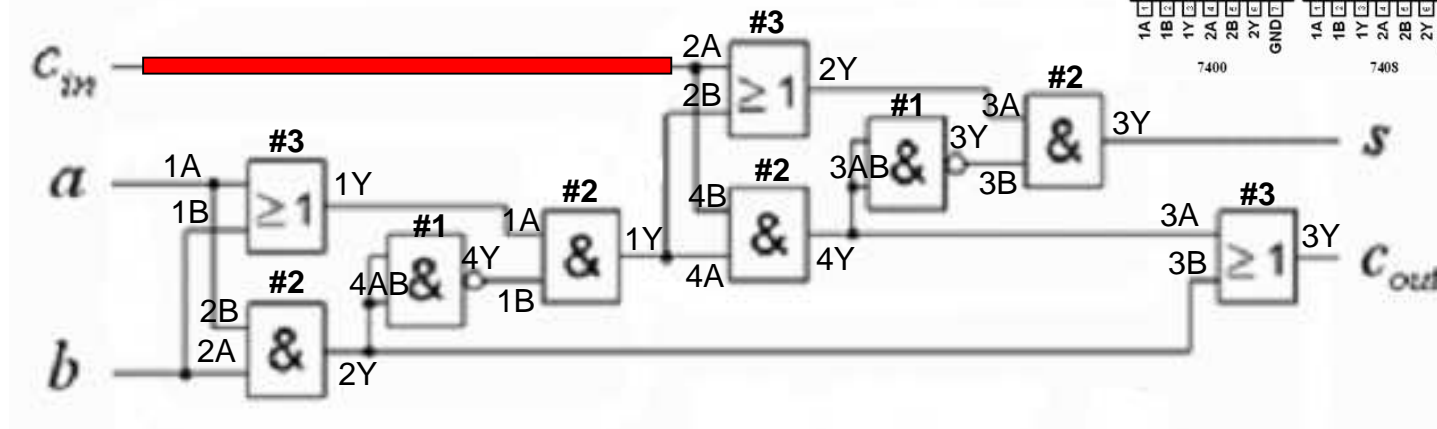
- Choose one wire at a time and check 



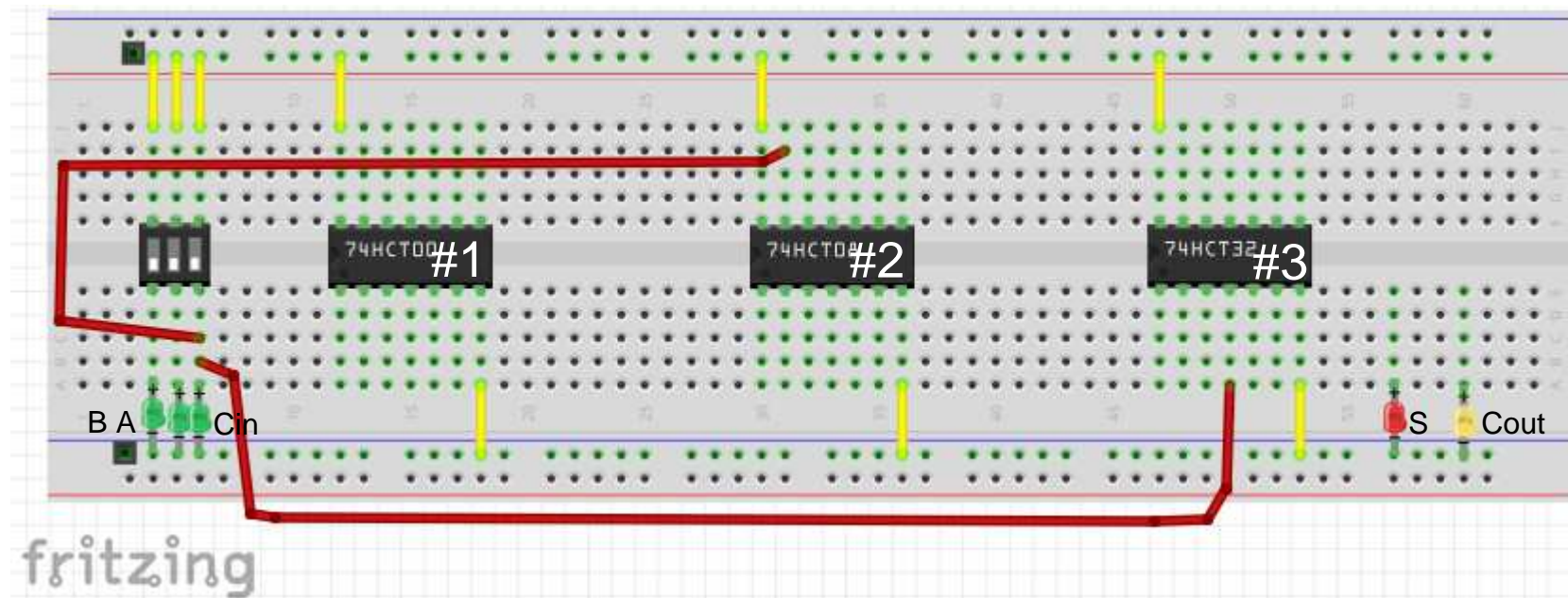
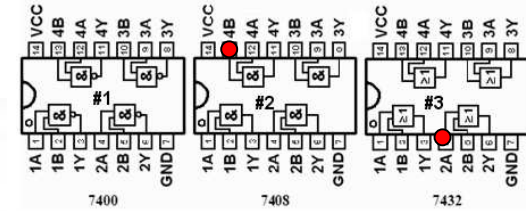
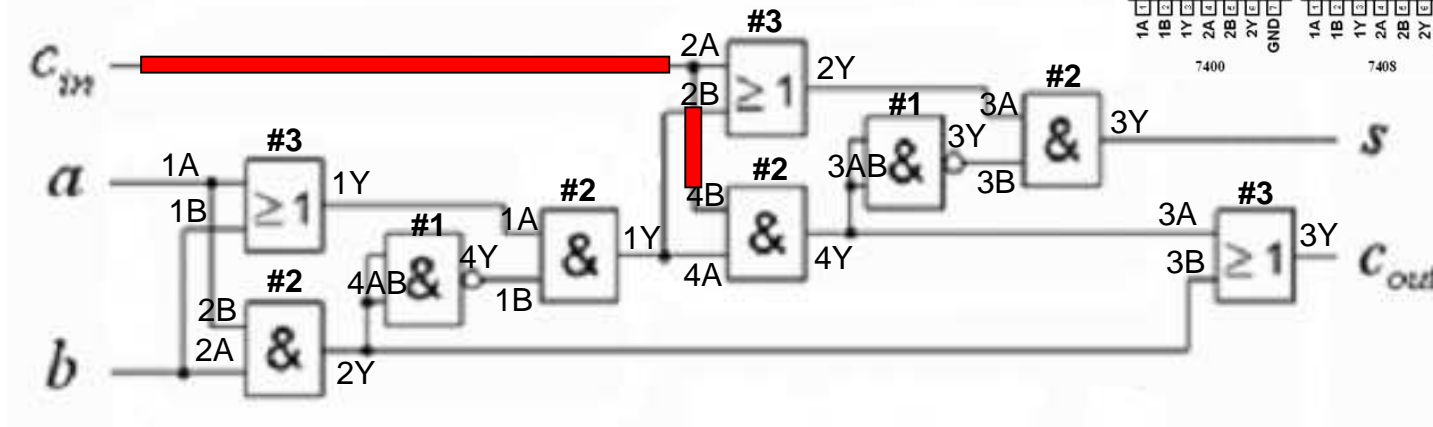
In Fritzing you find chip #3 pin 2A with the mouse pointer

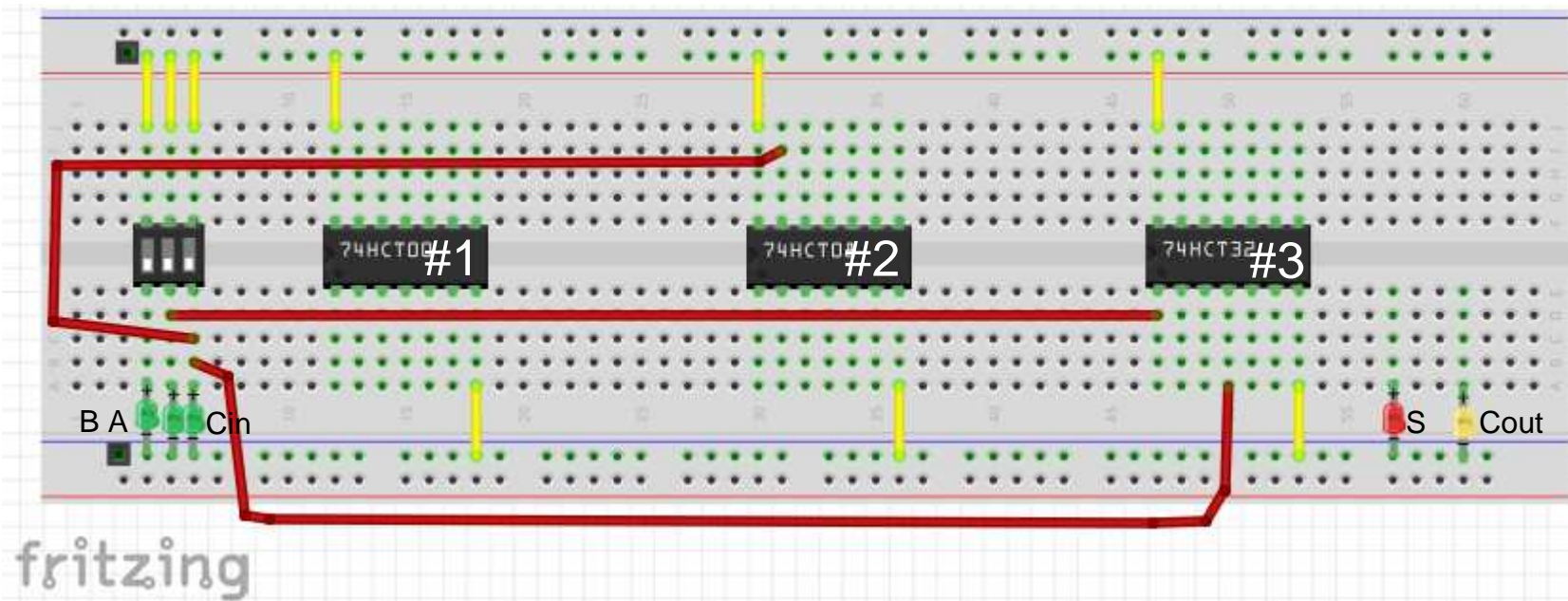
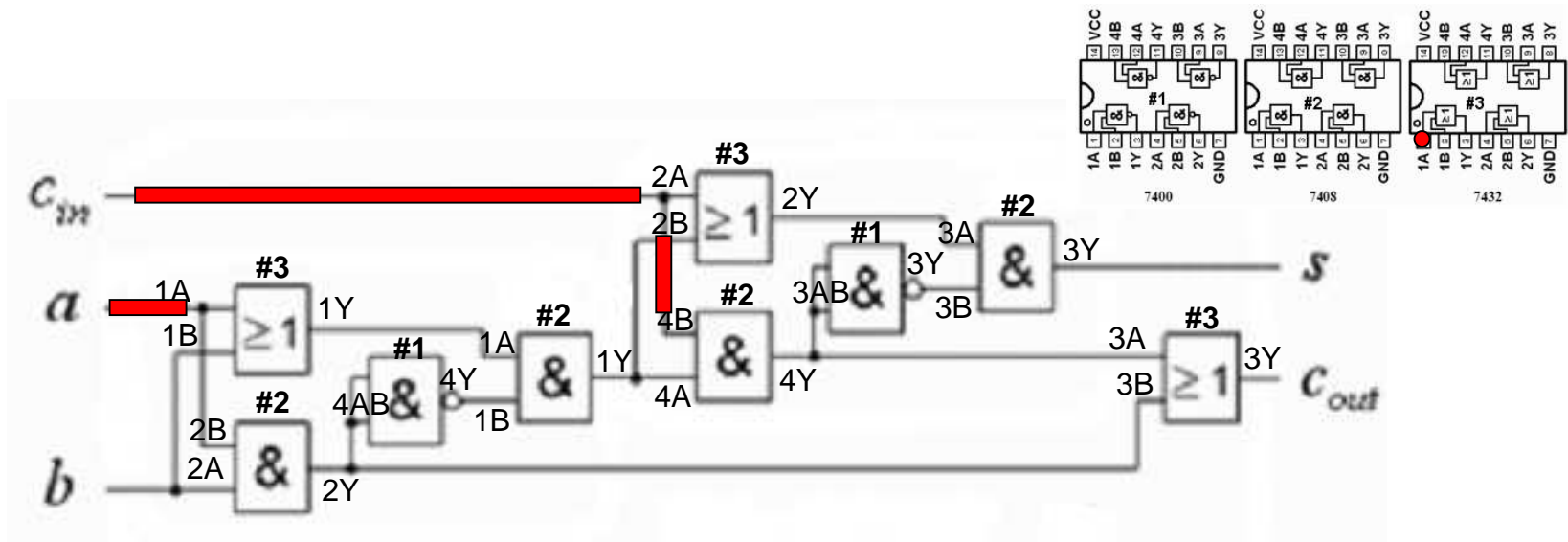


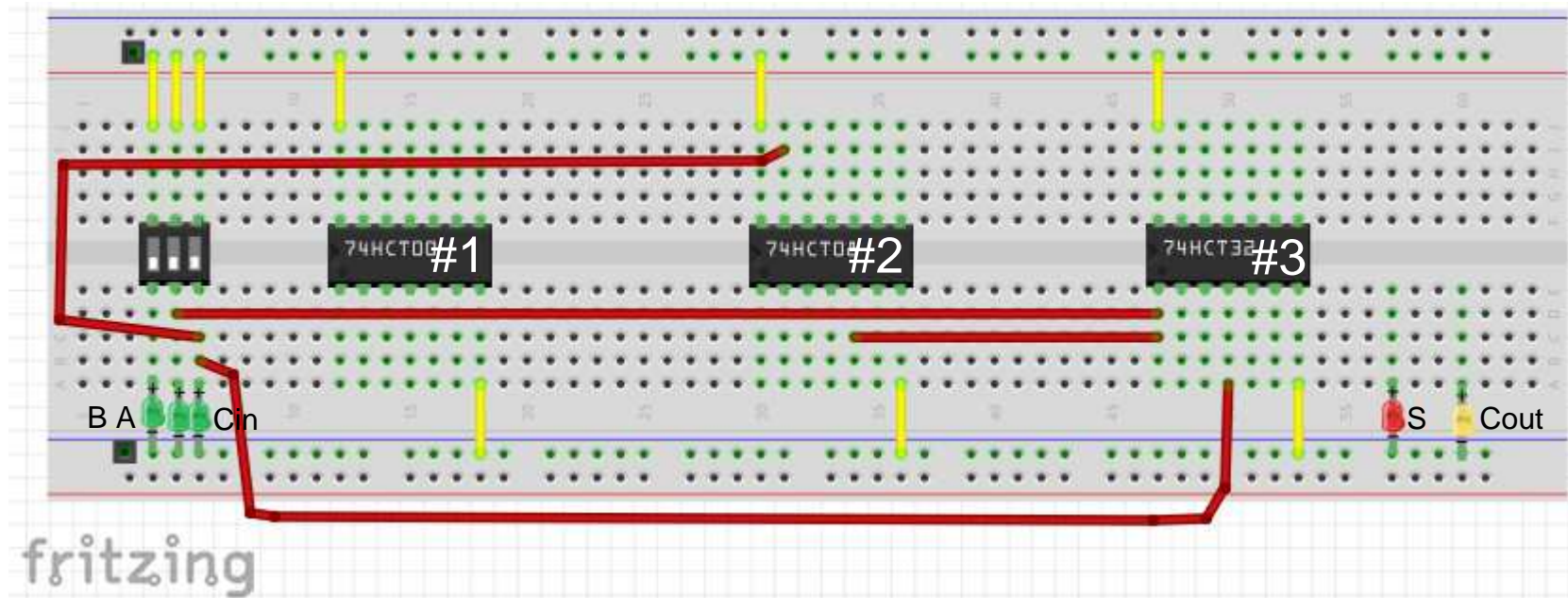
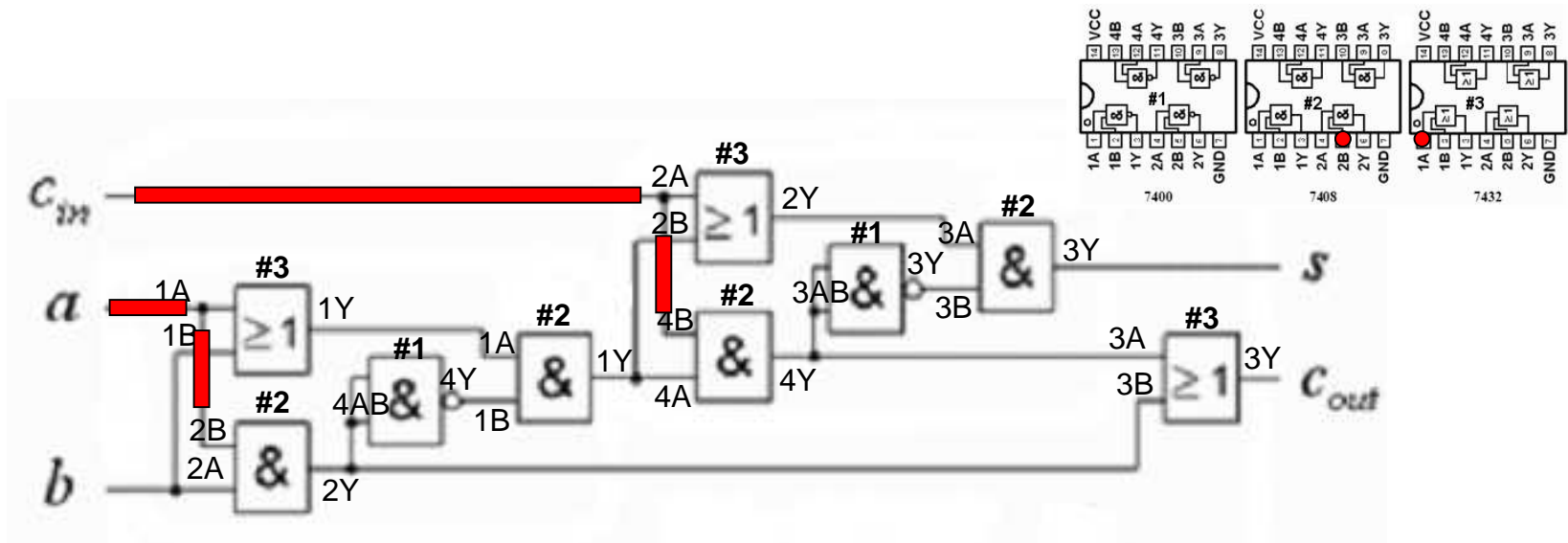
Draw one wire at a time

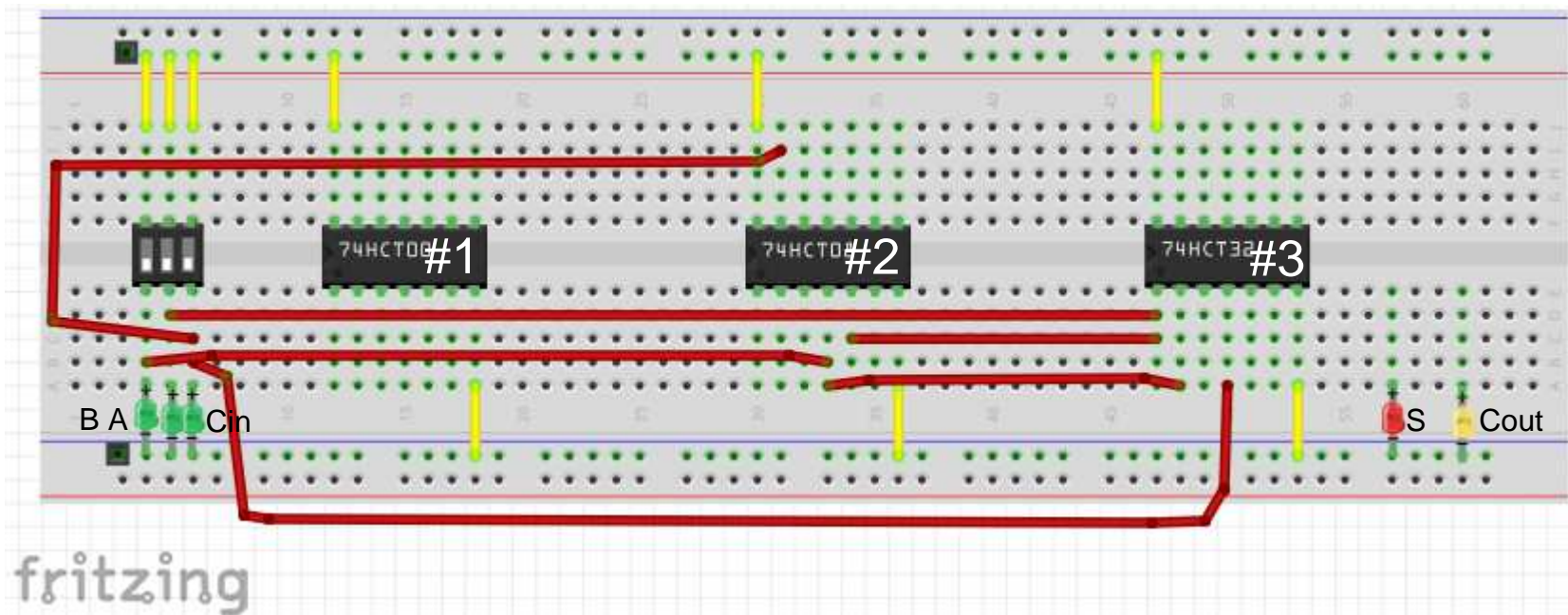
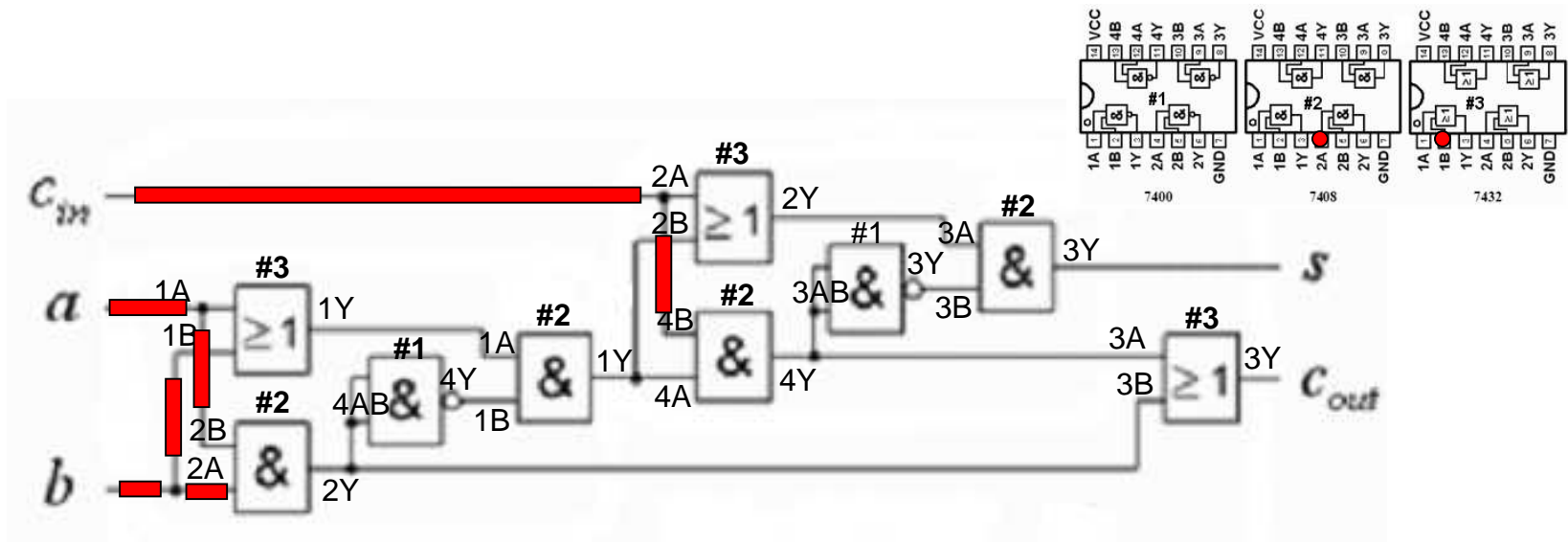


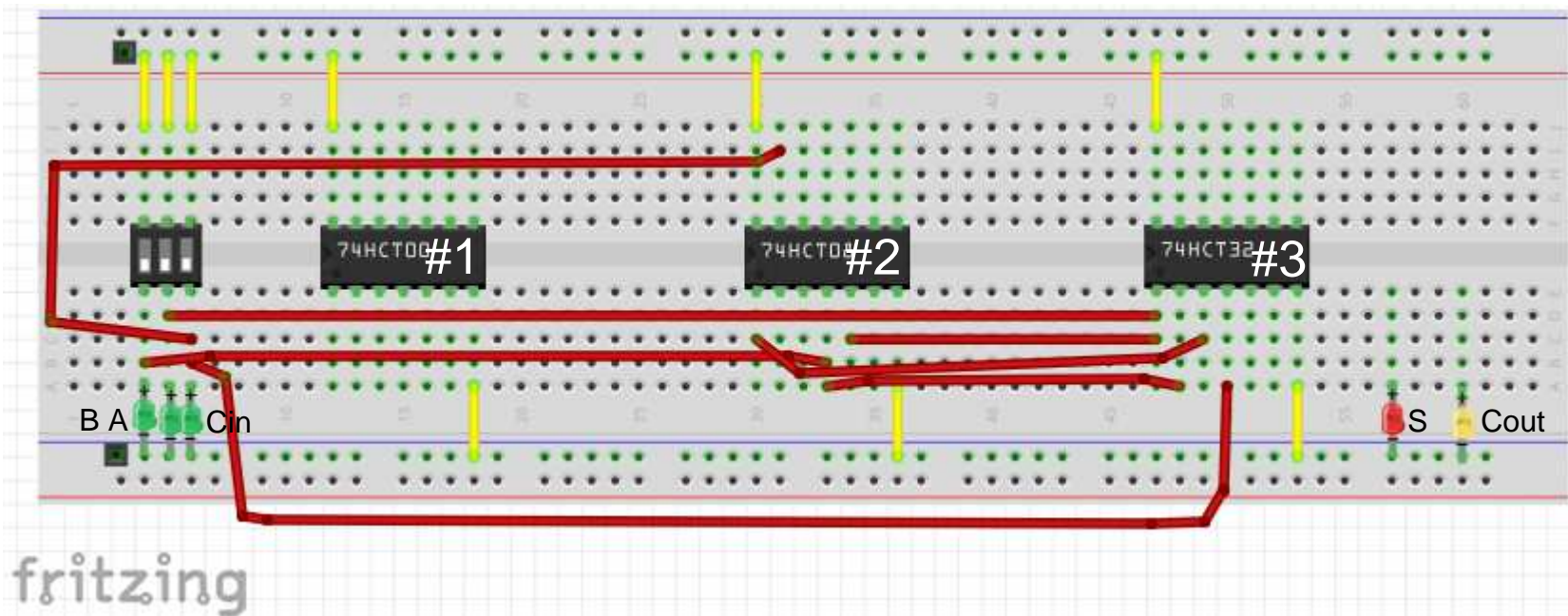
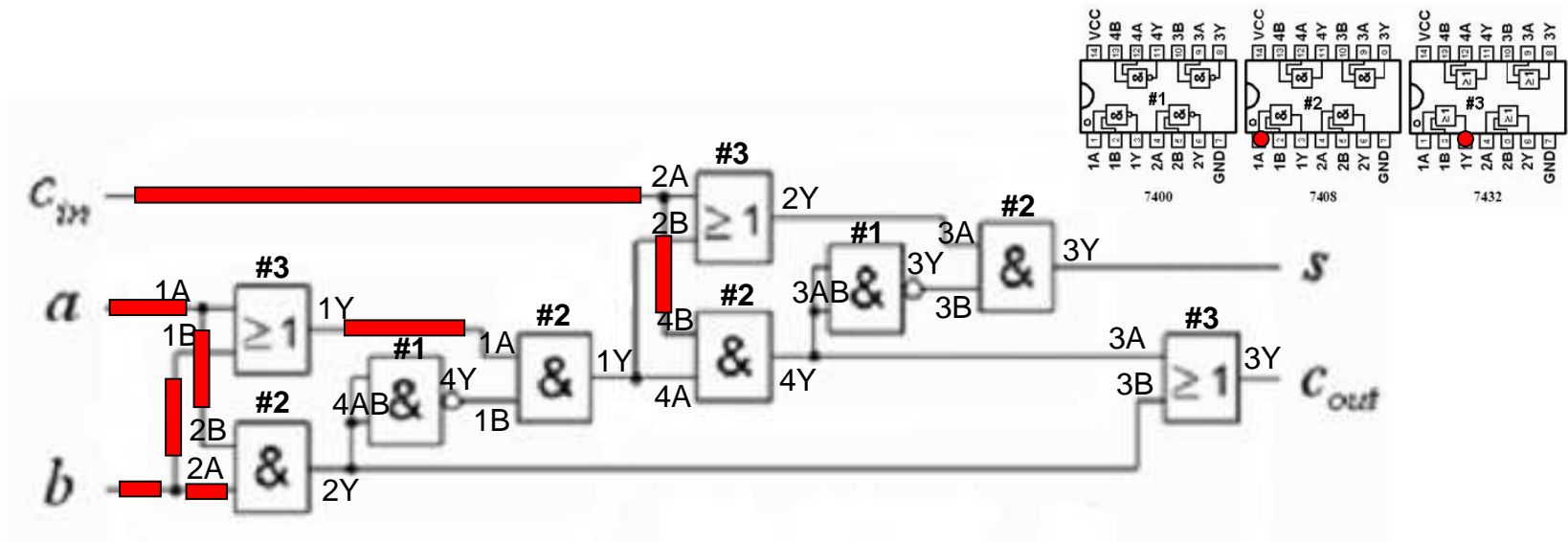
- Draw the next wire ...

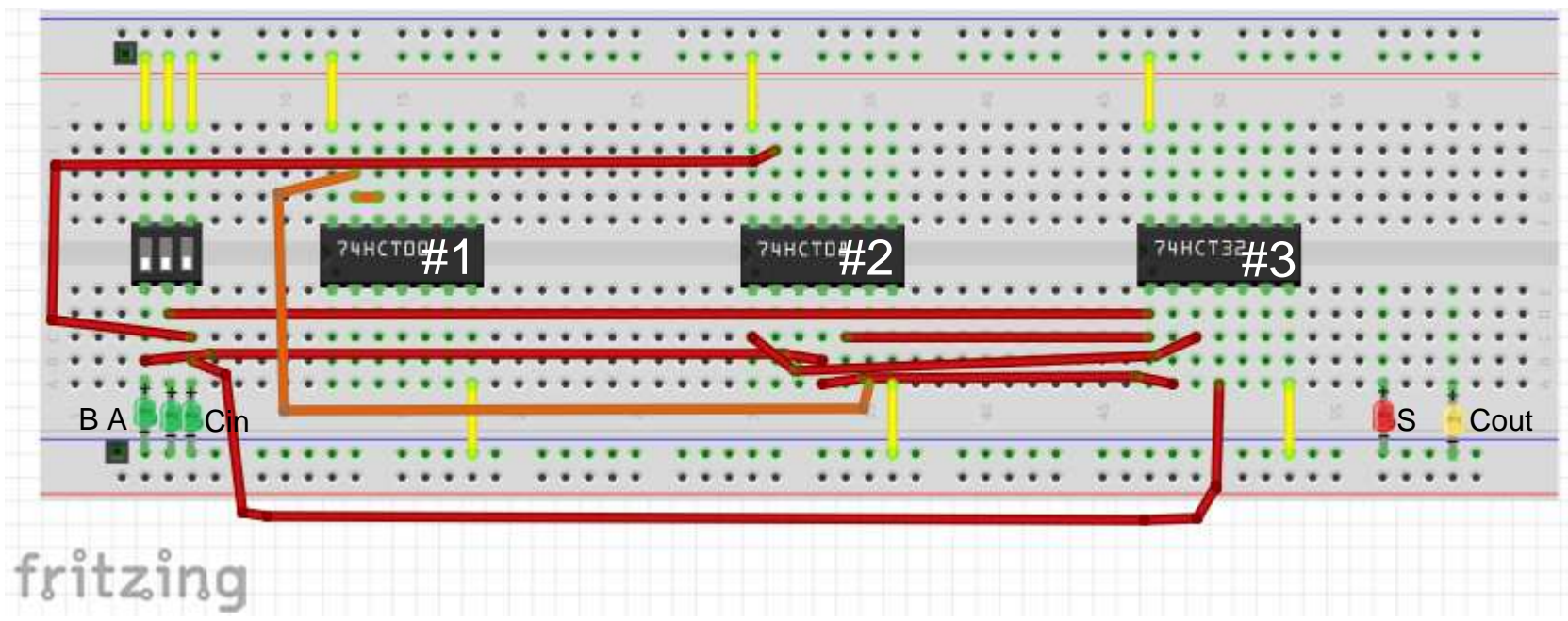
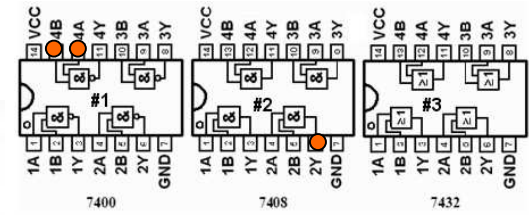
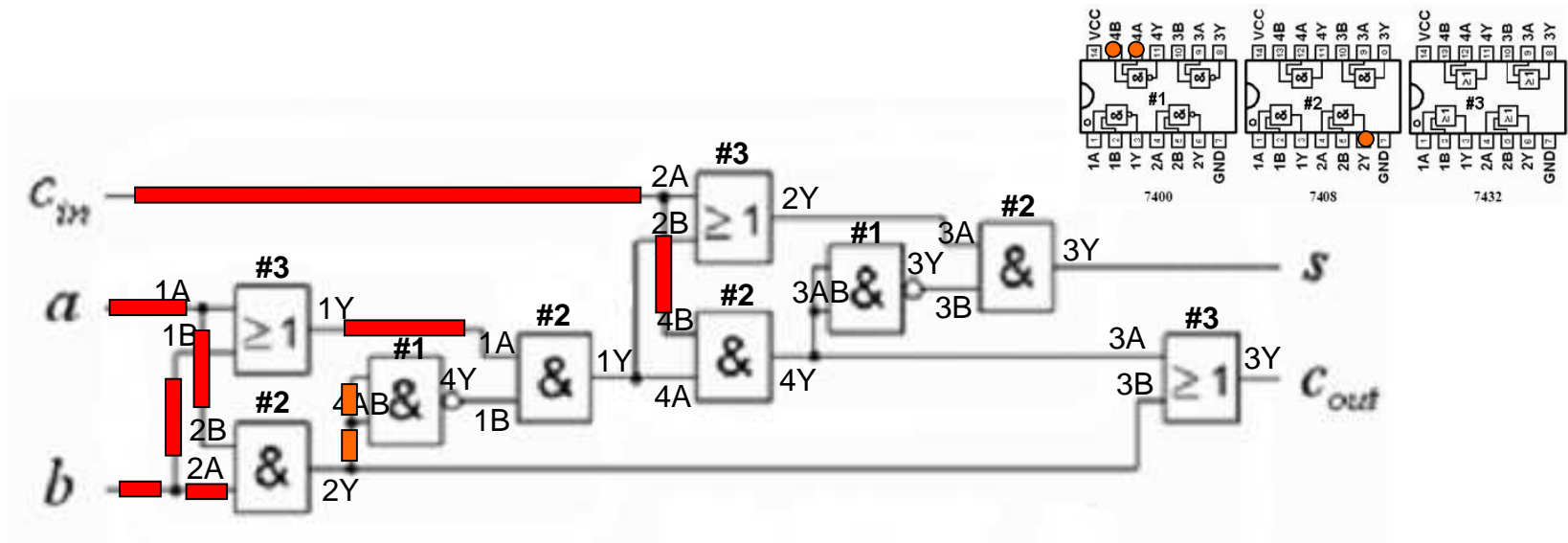




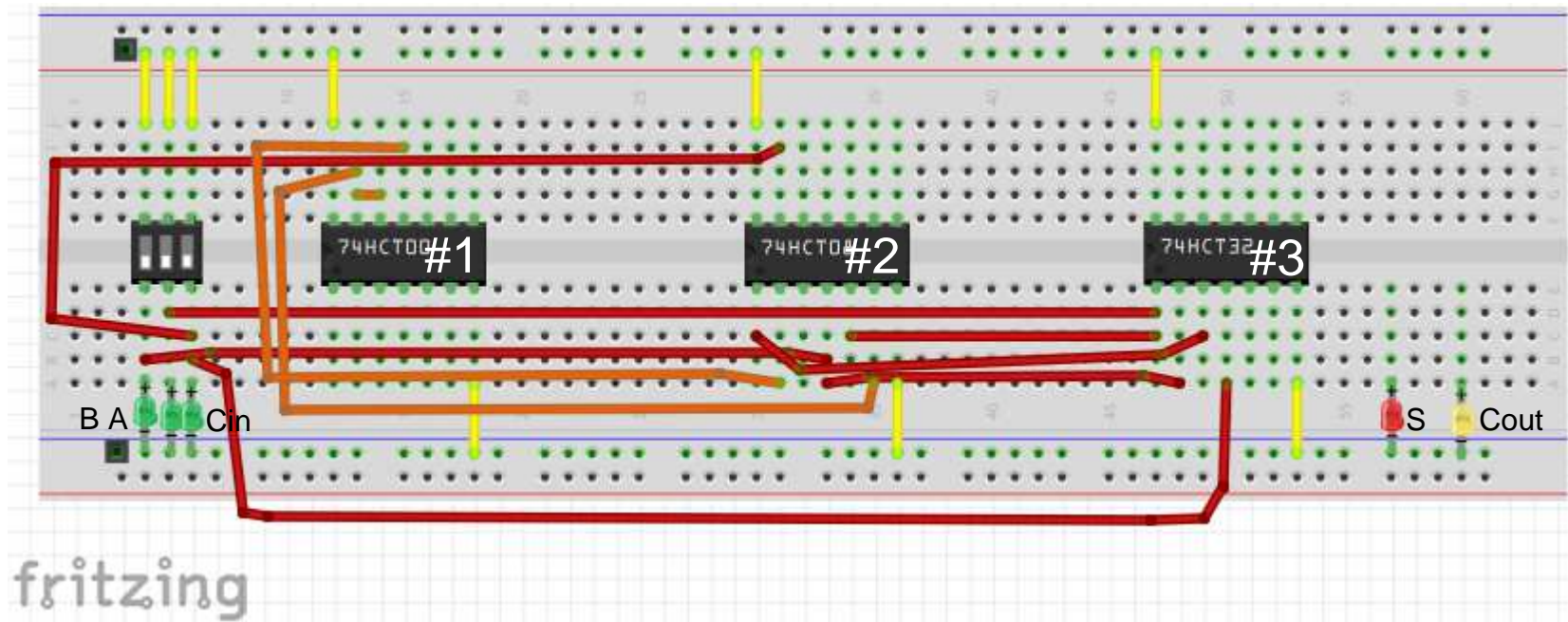
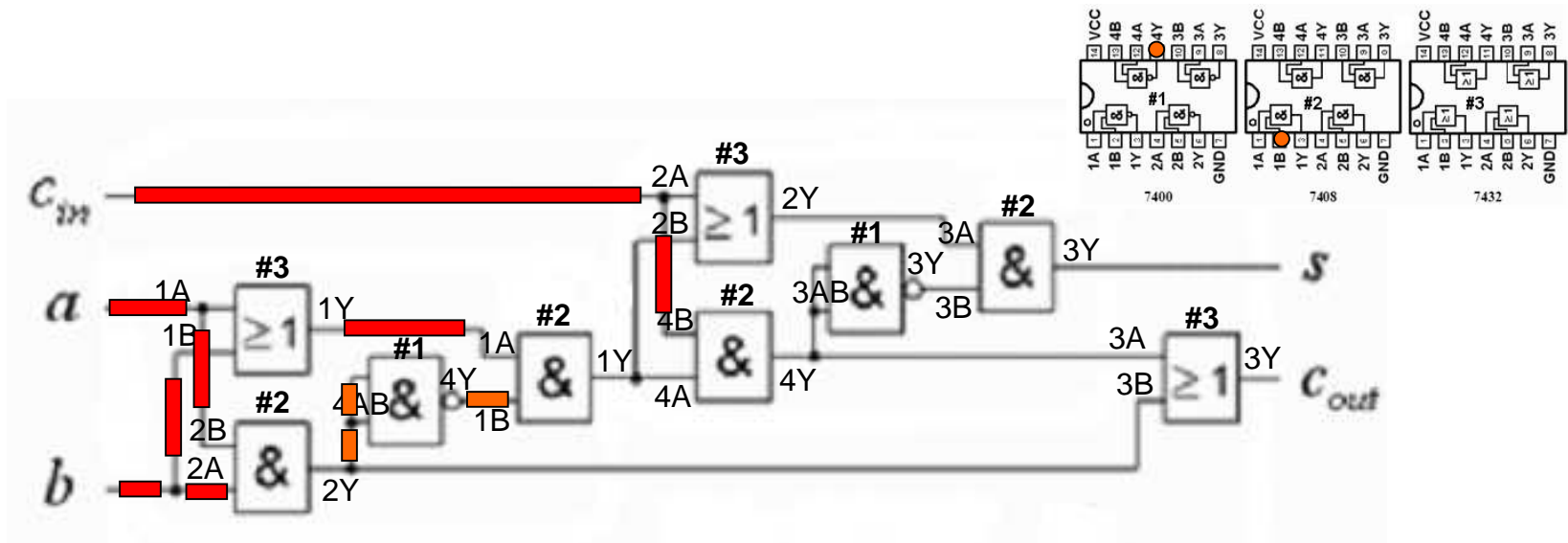


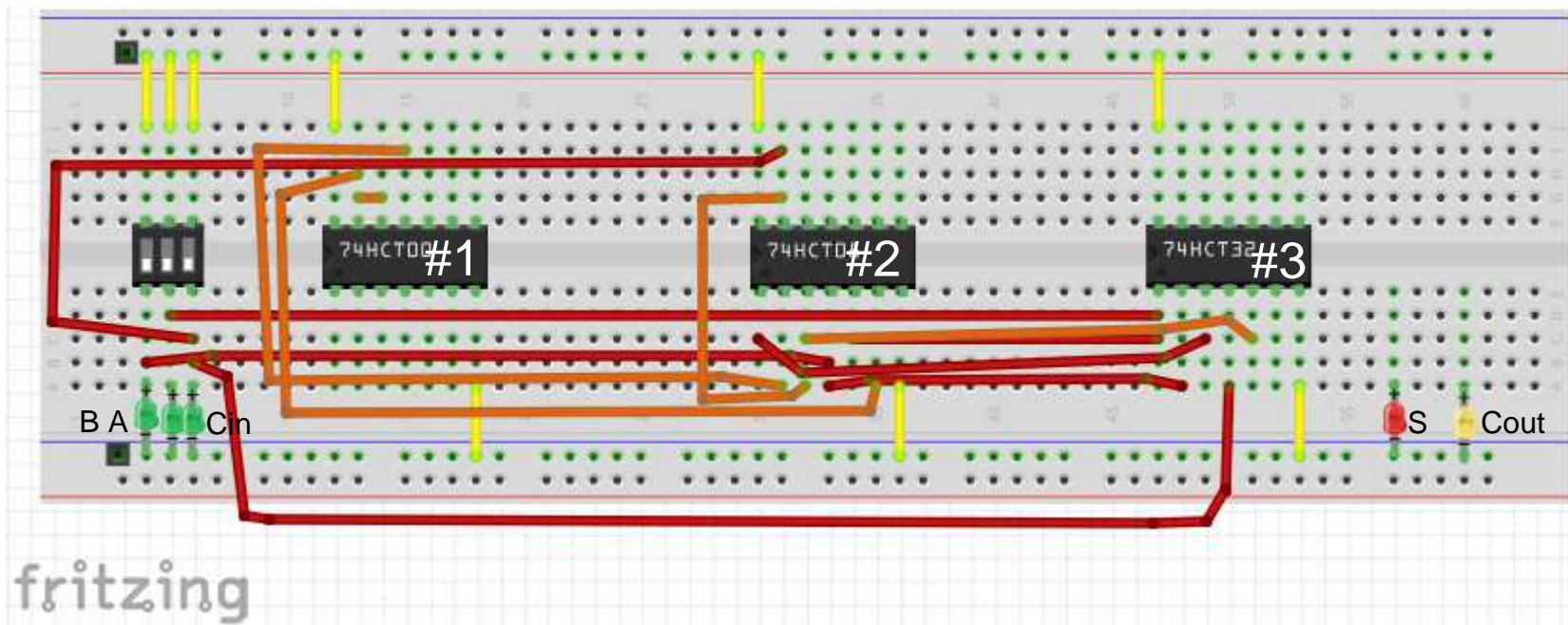
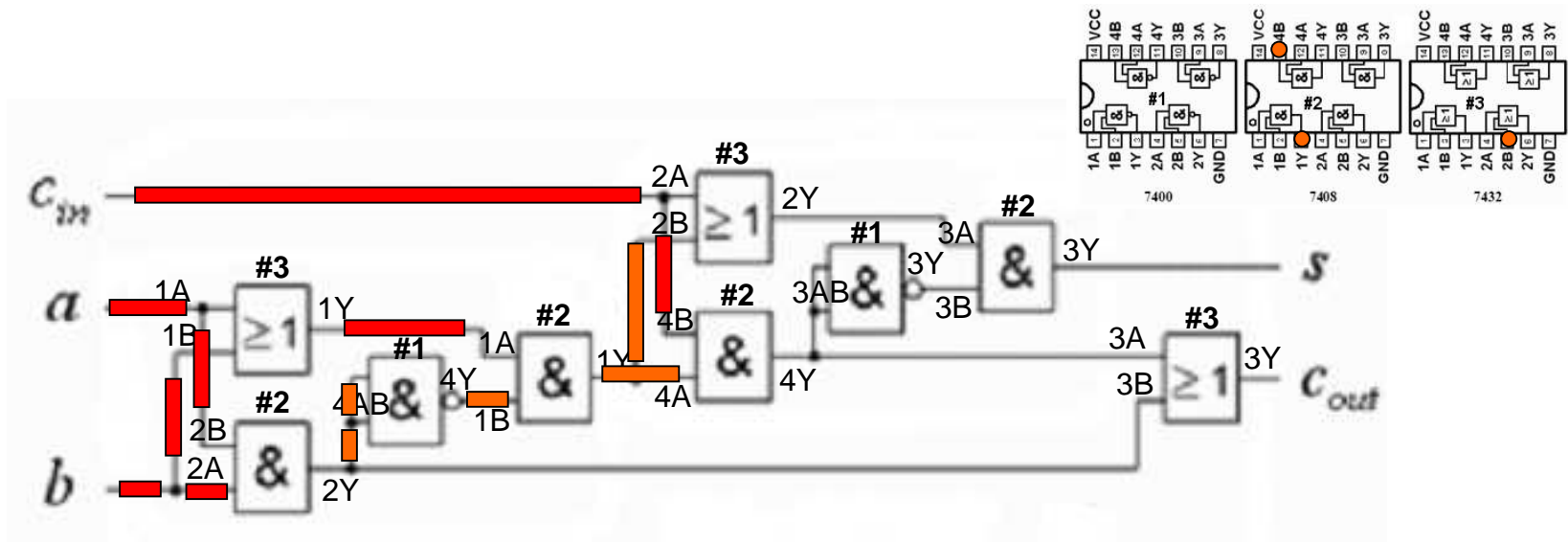


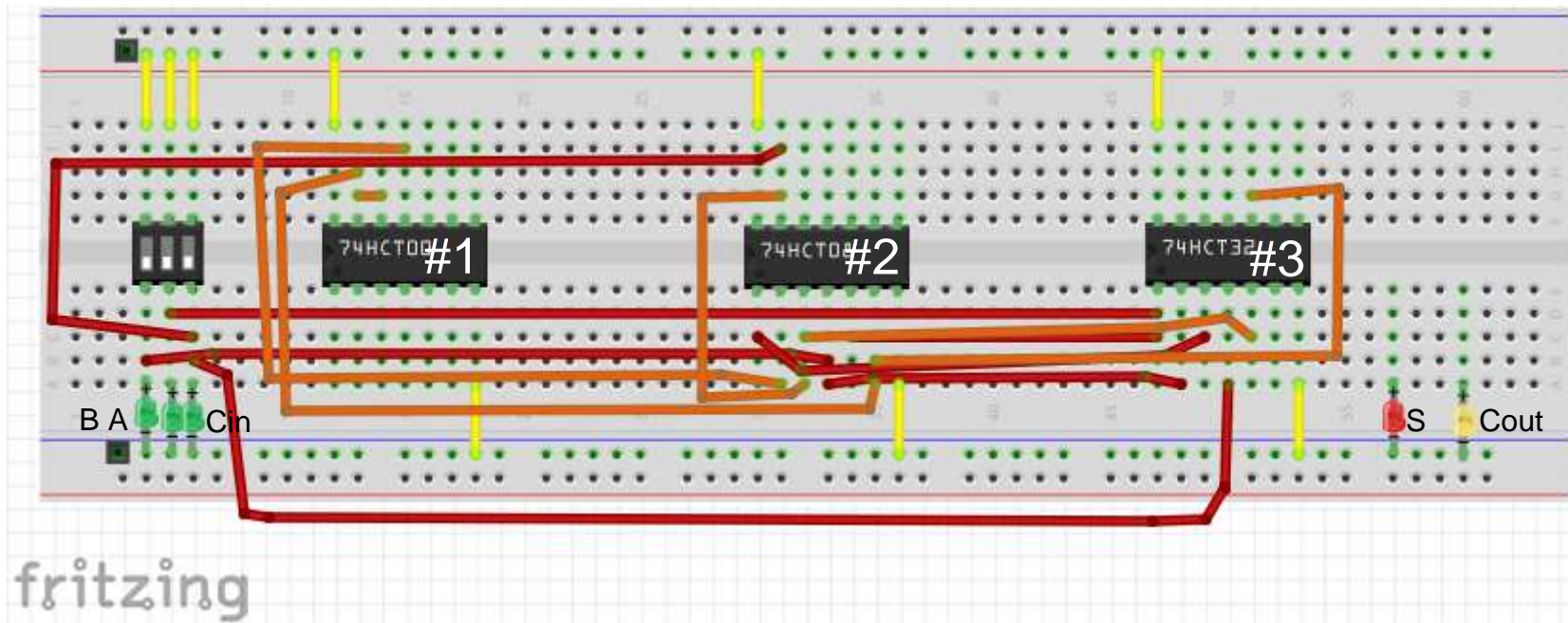
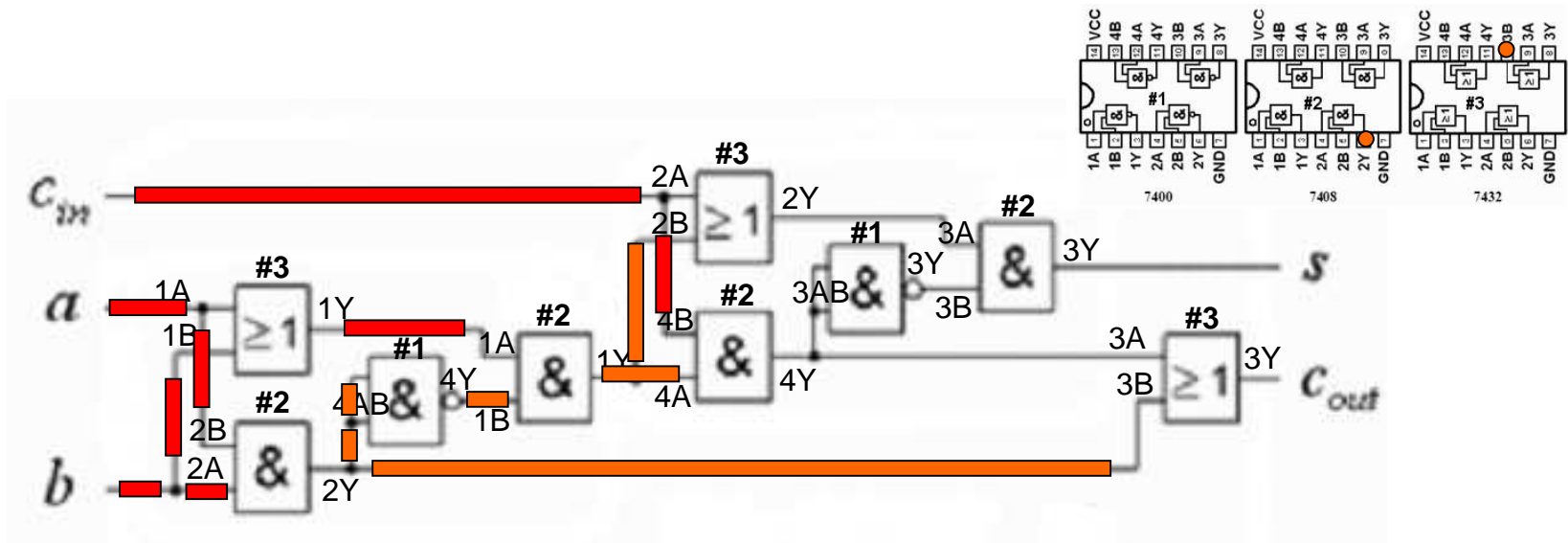


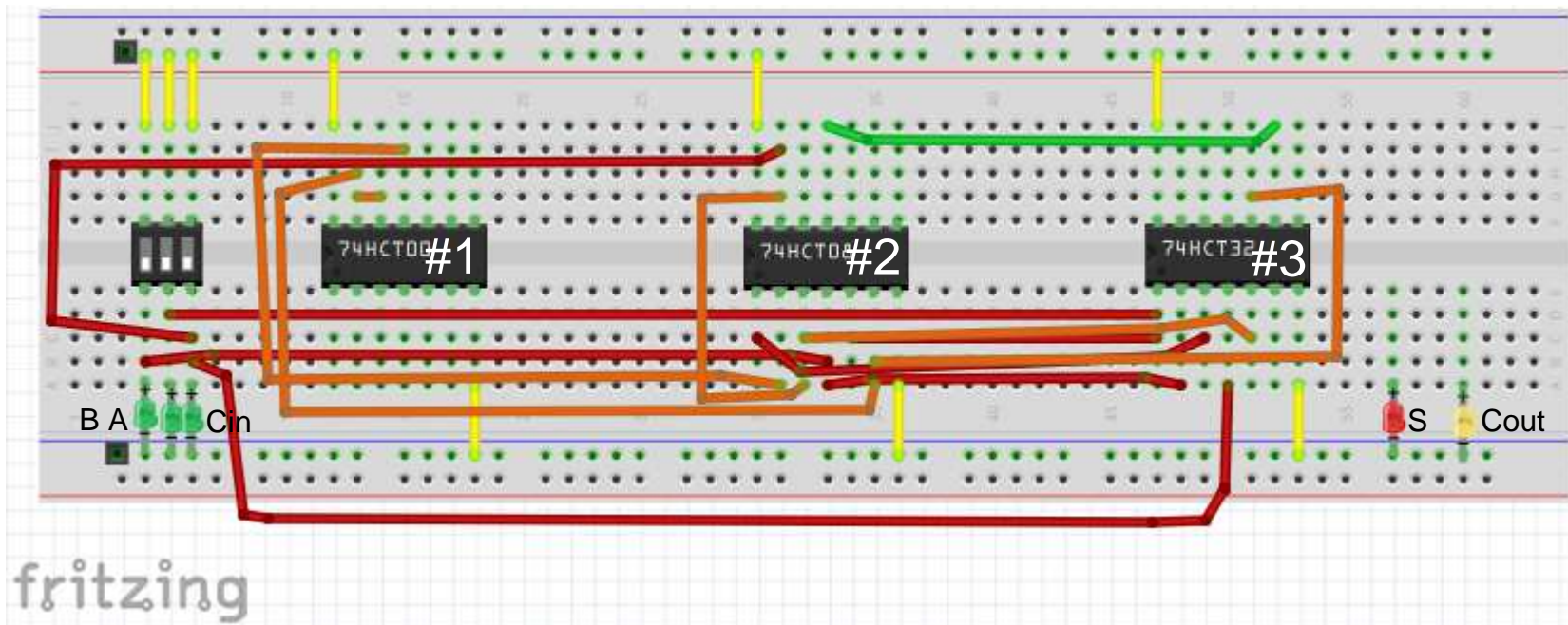
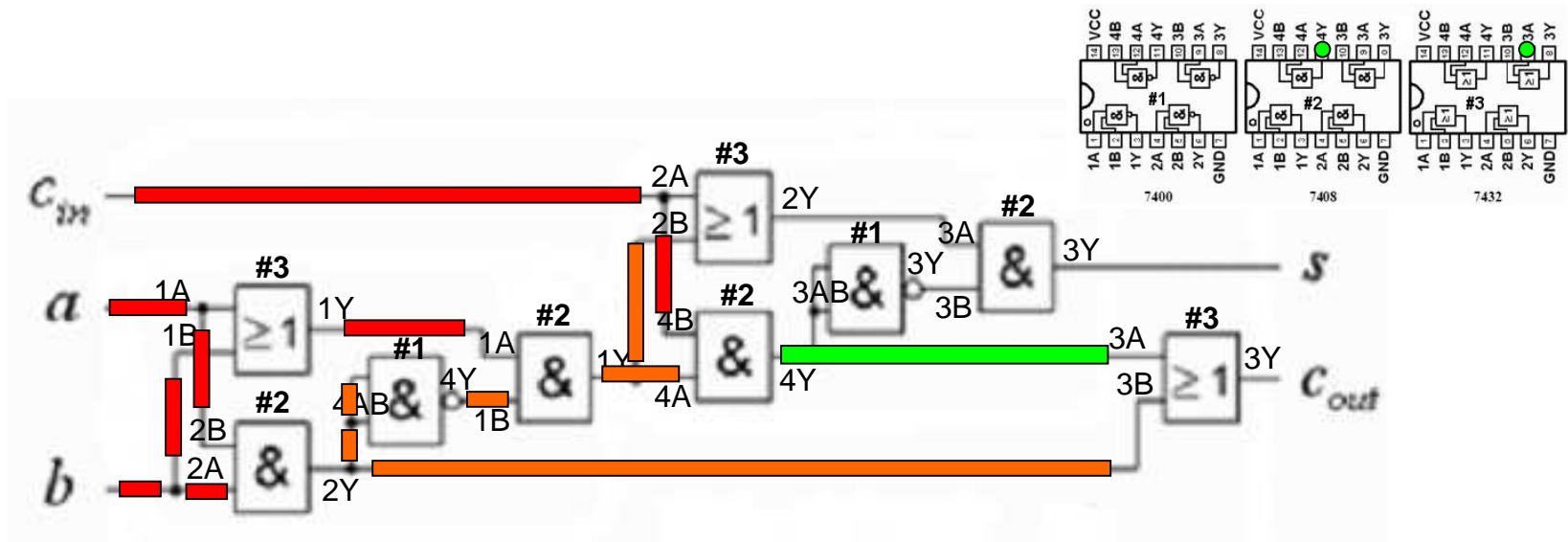


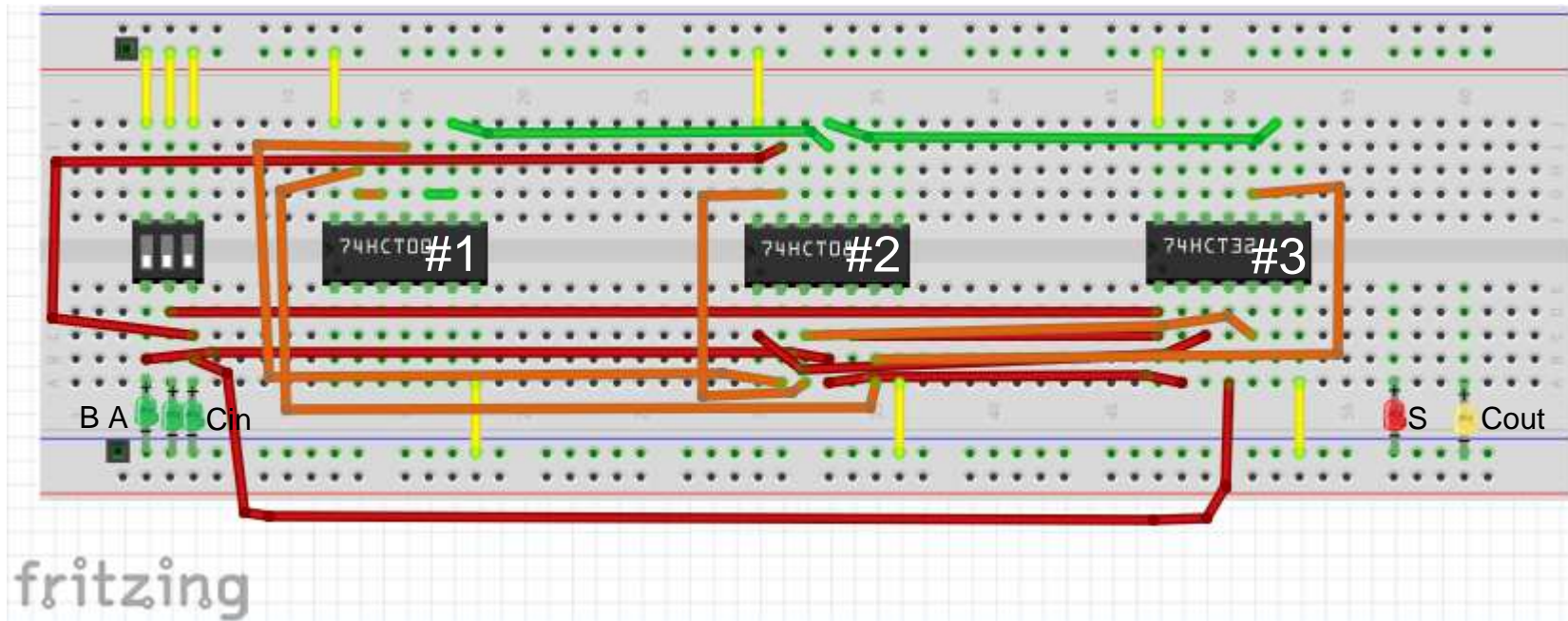
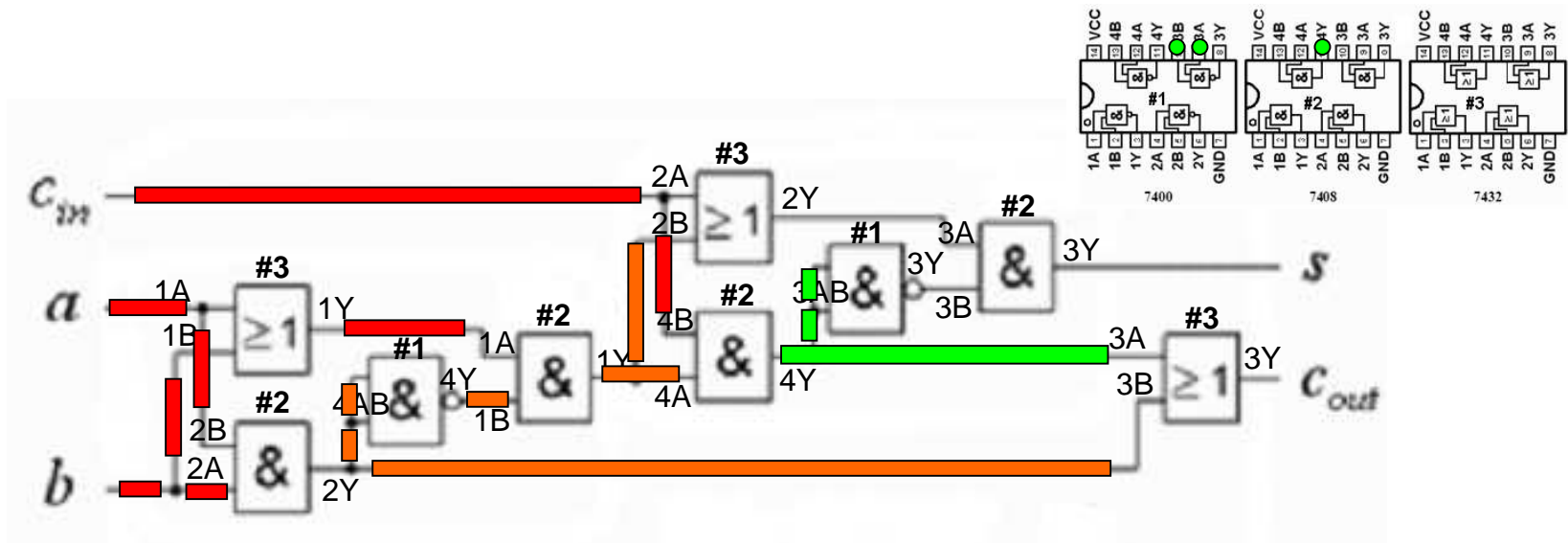
fritzing

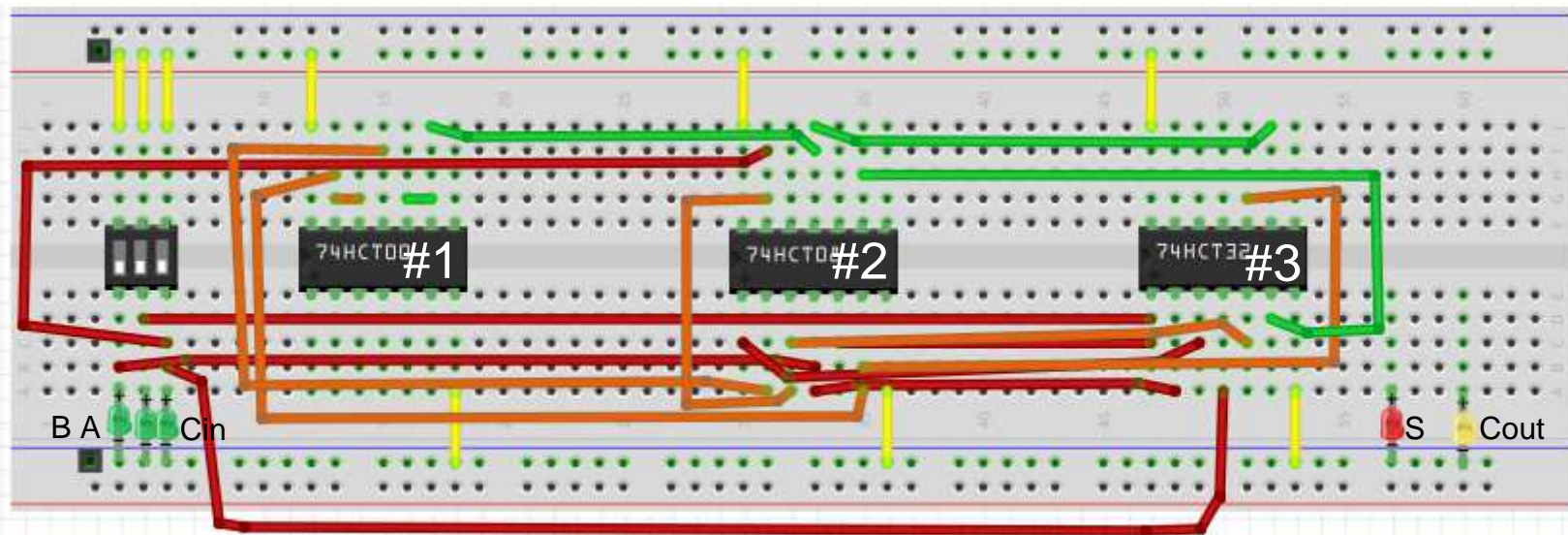
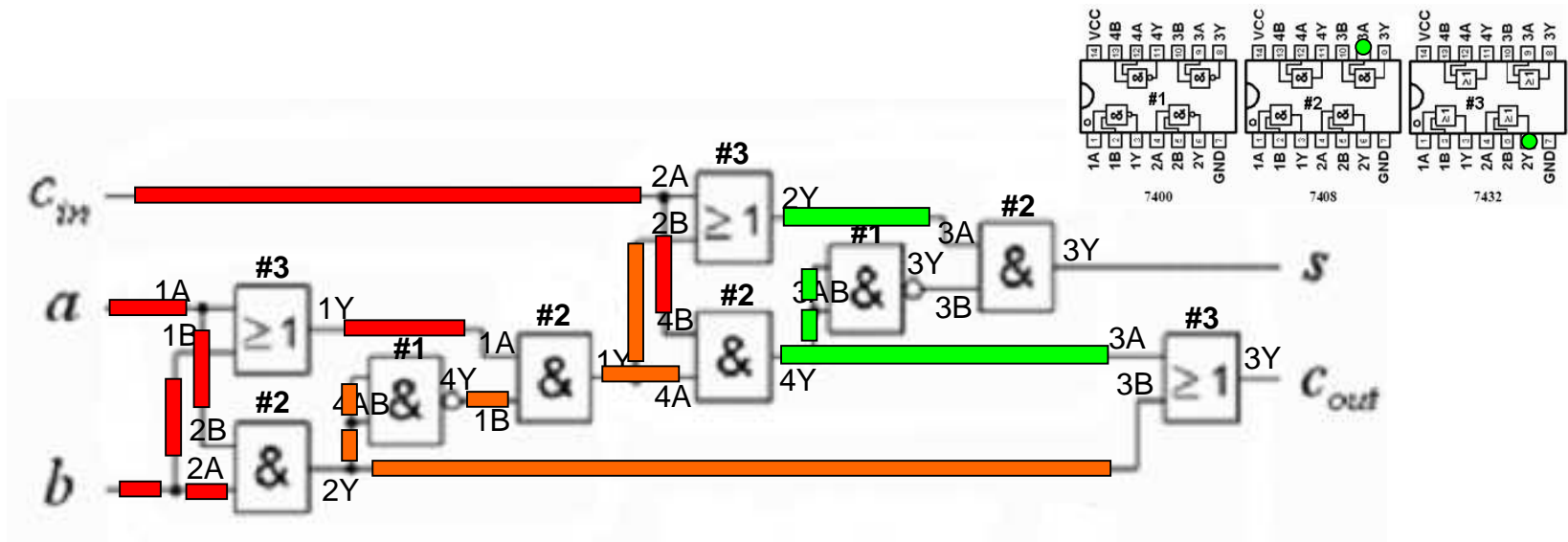




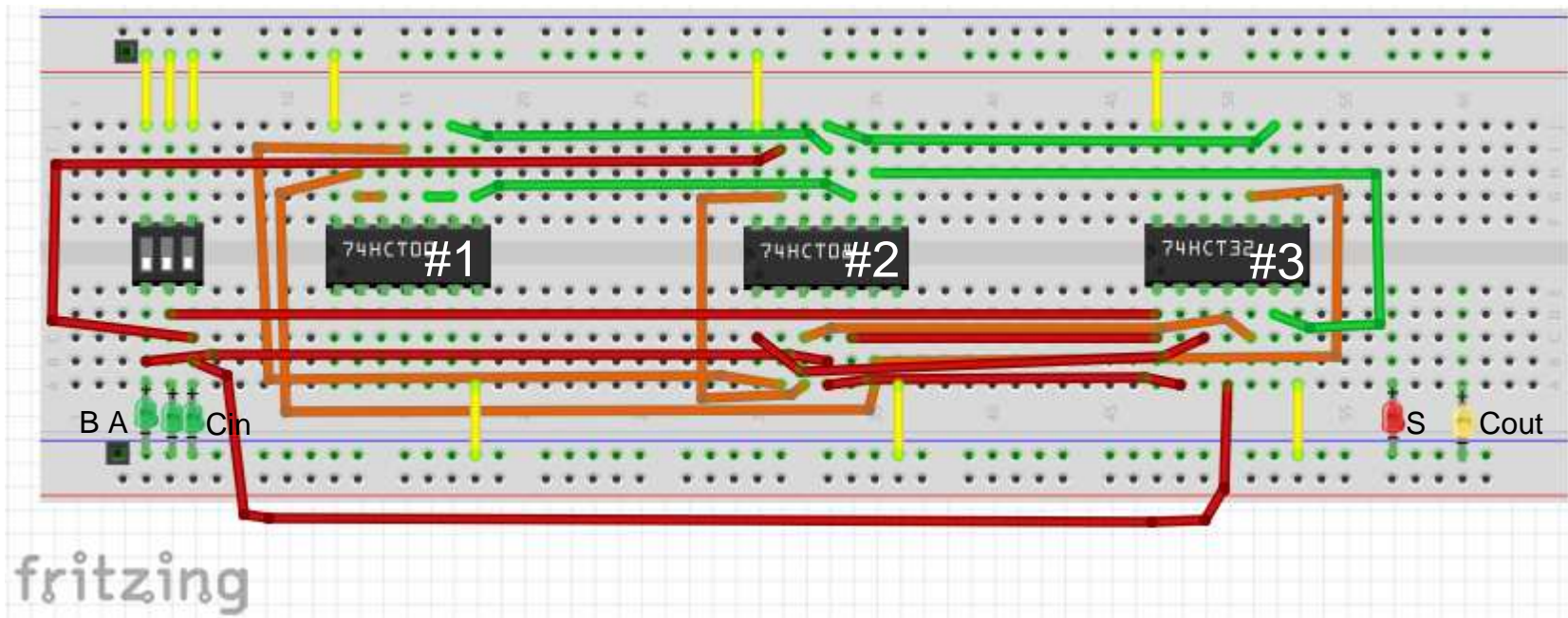
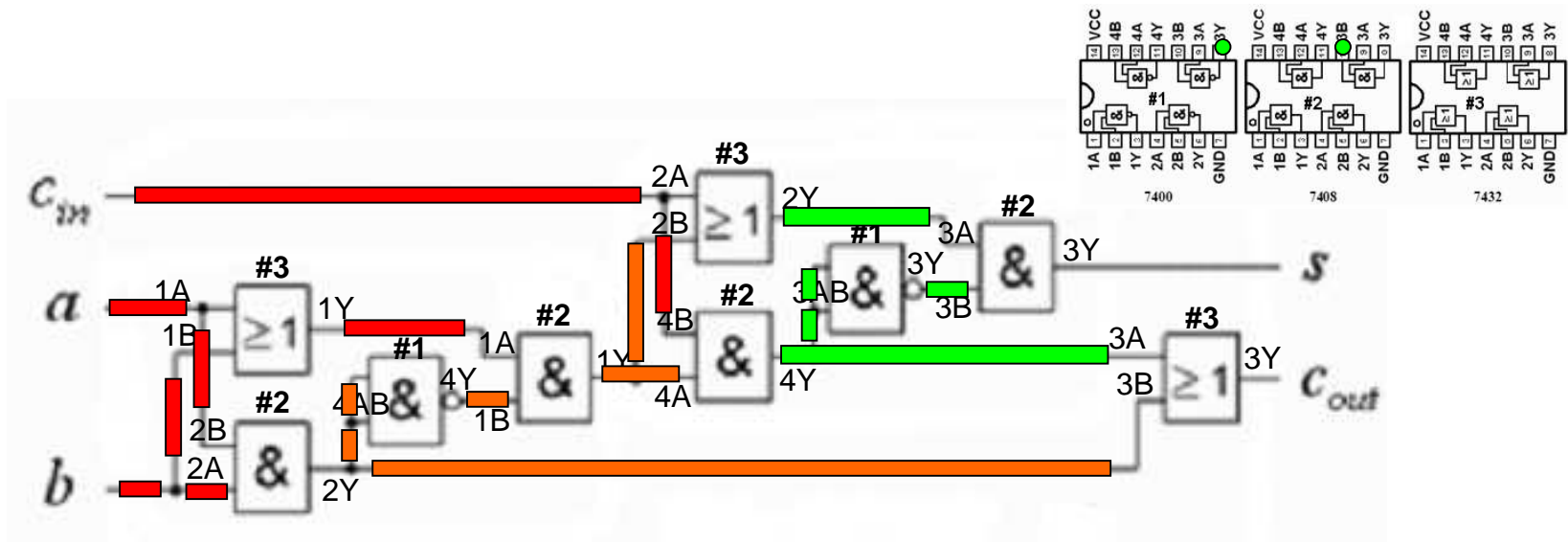


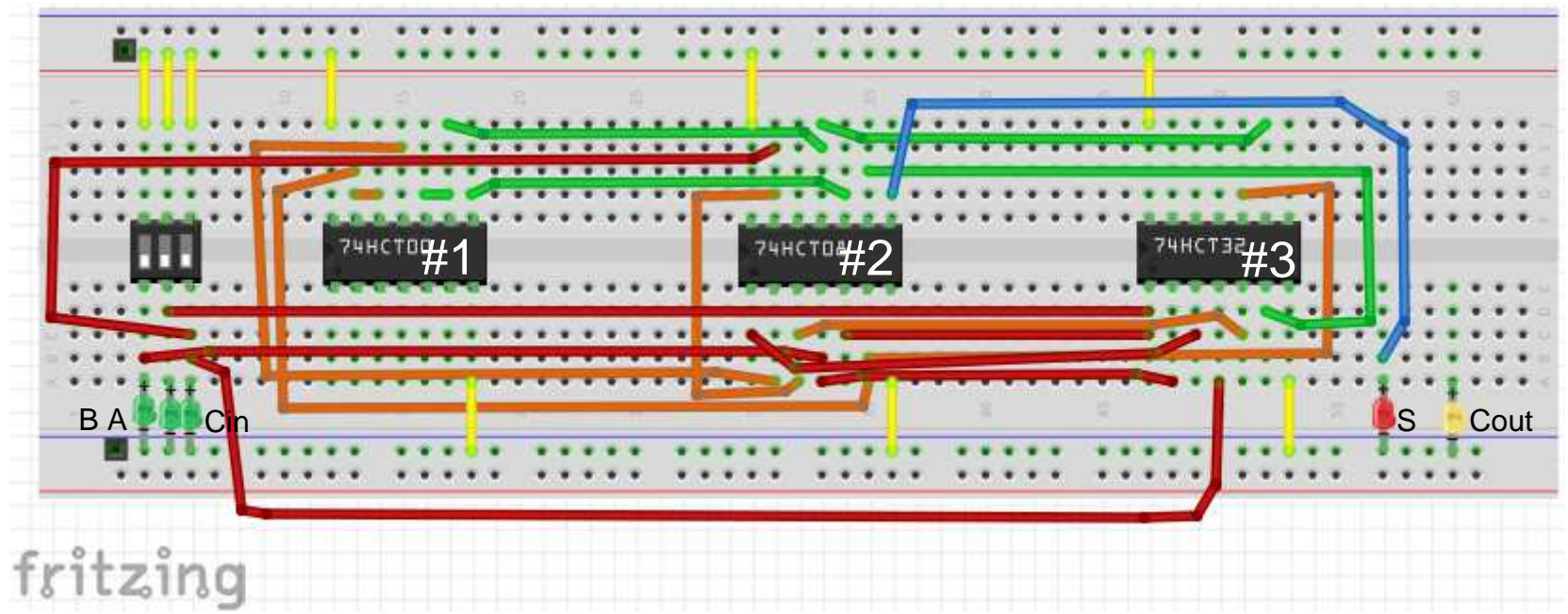
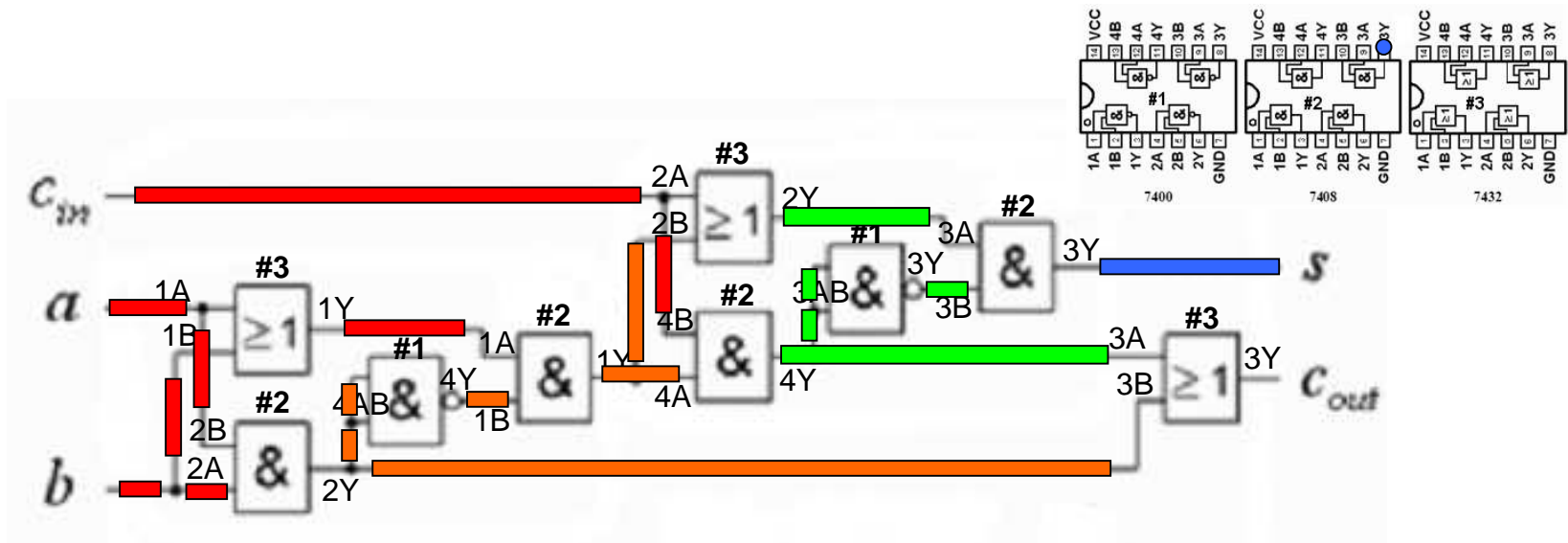






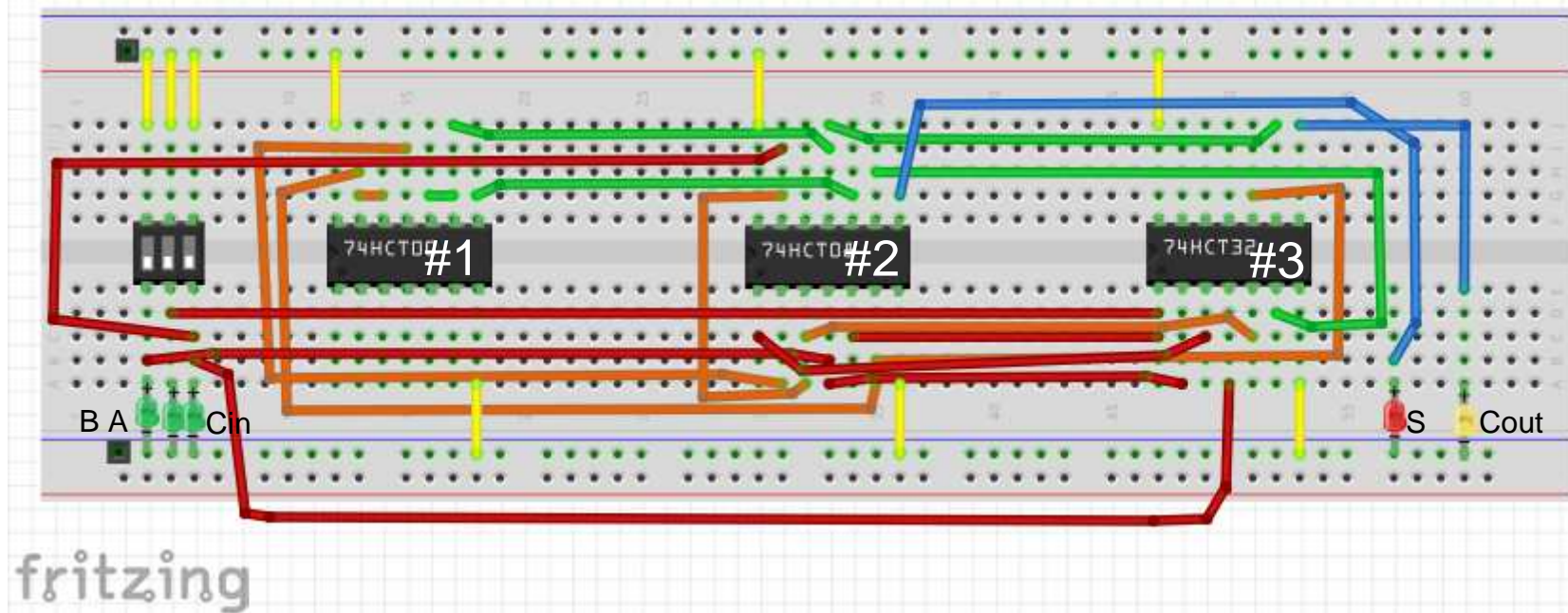
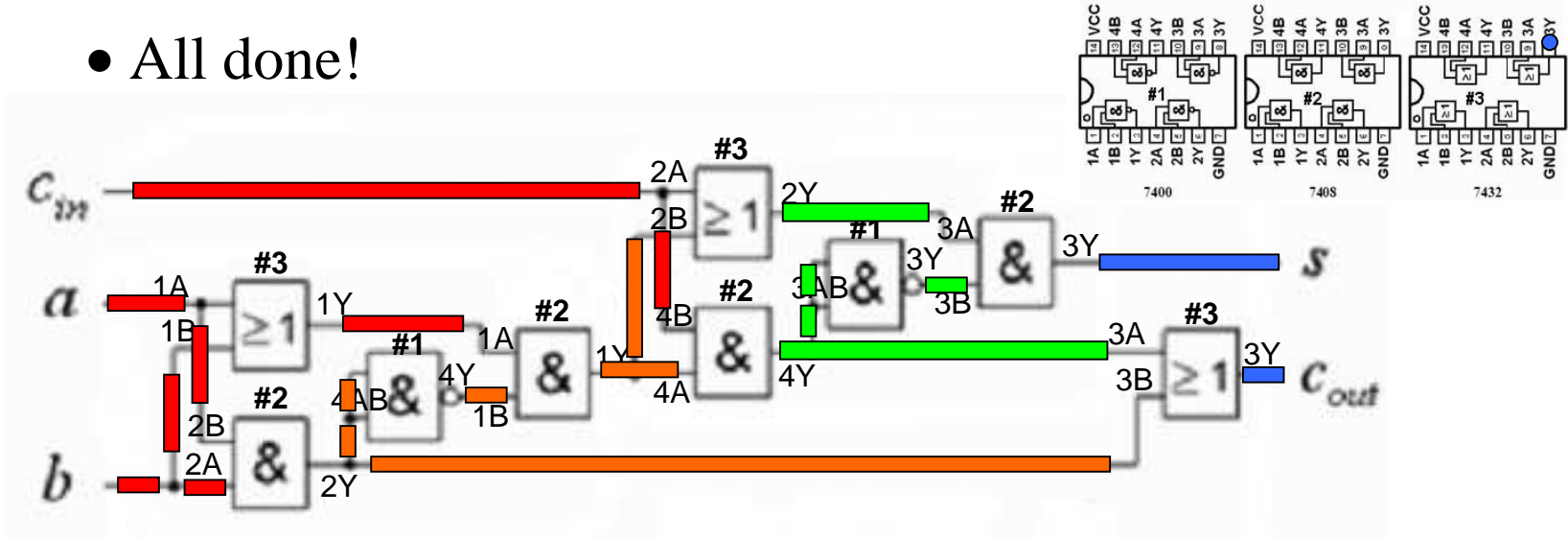
fritzing



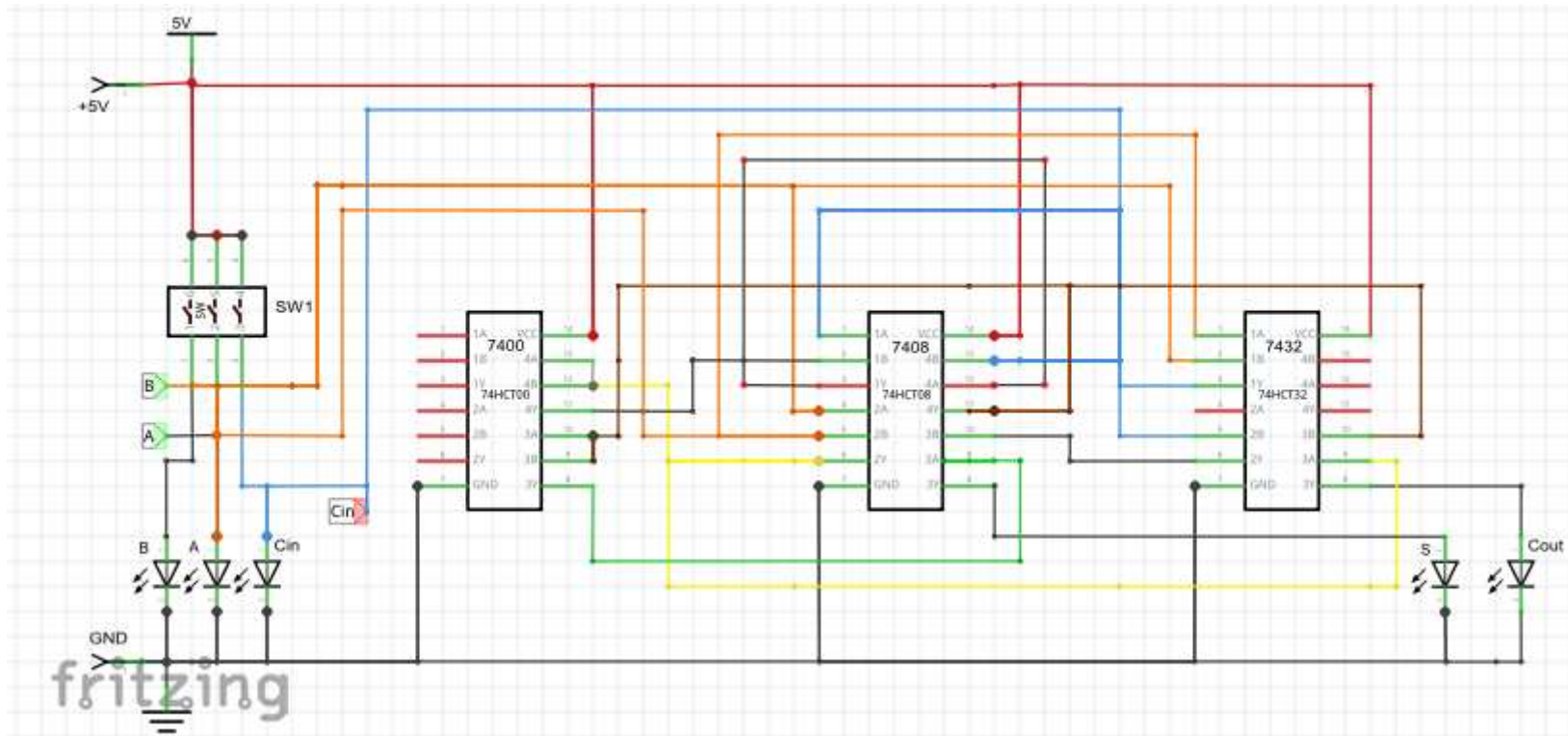


fritzing

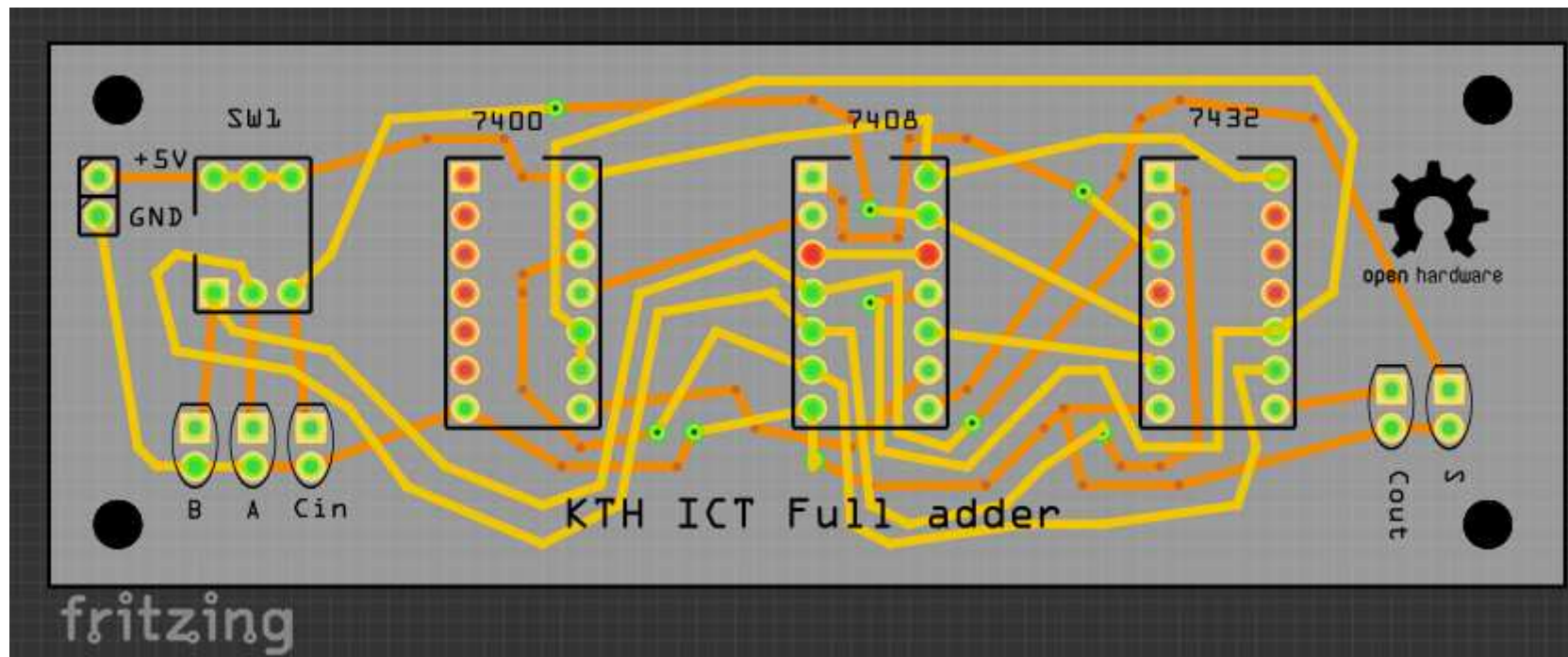
- All done!

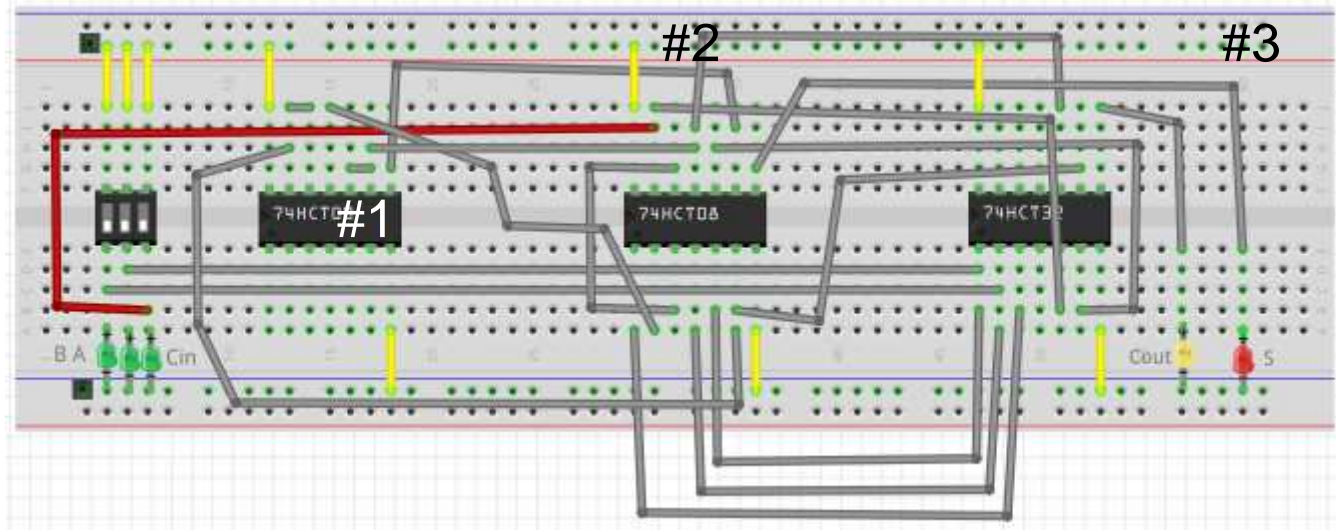
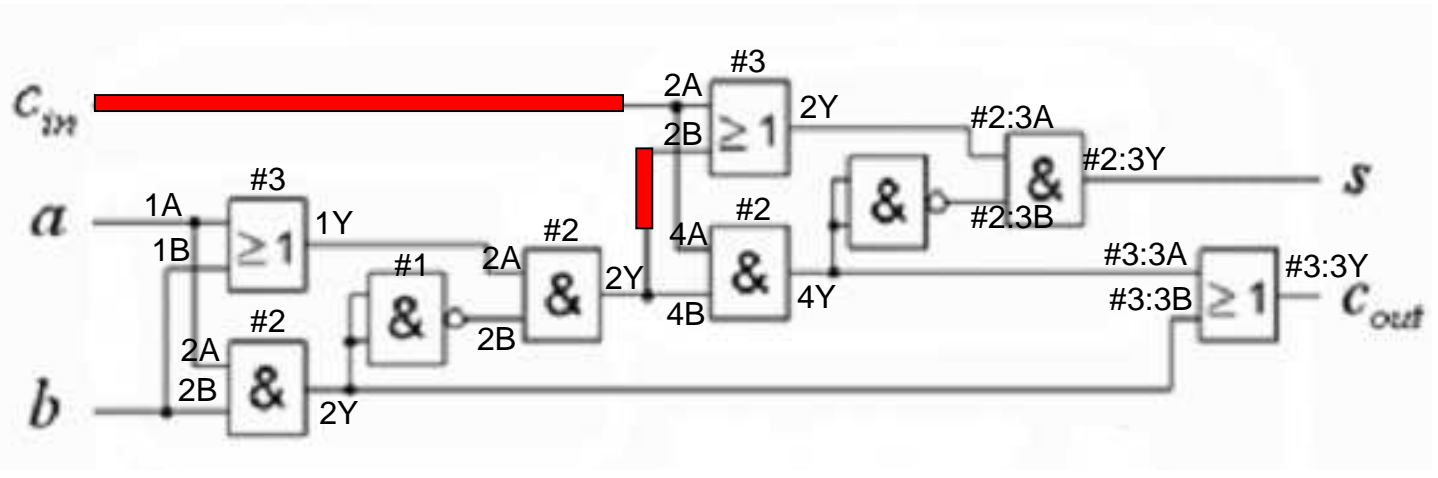


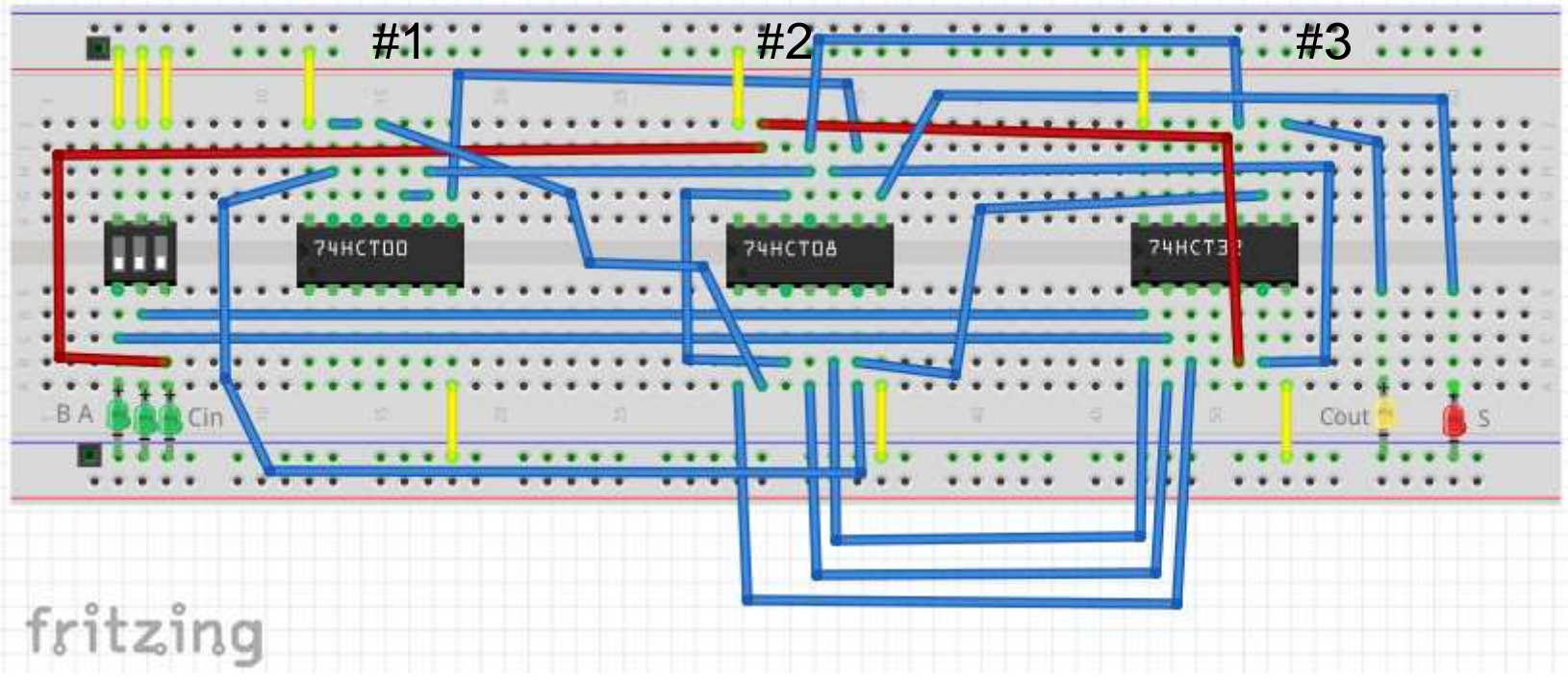
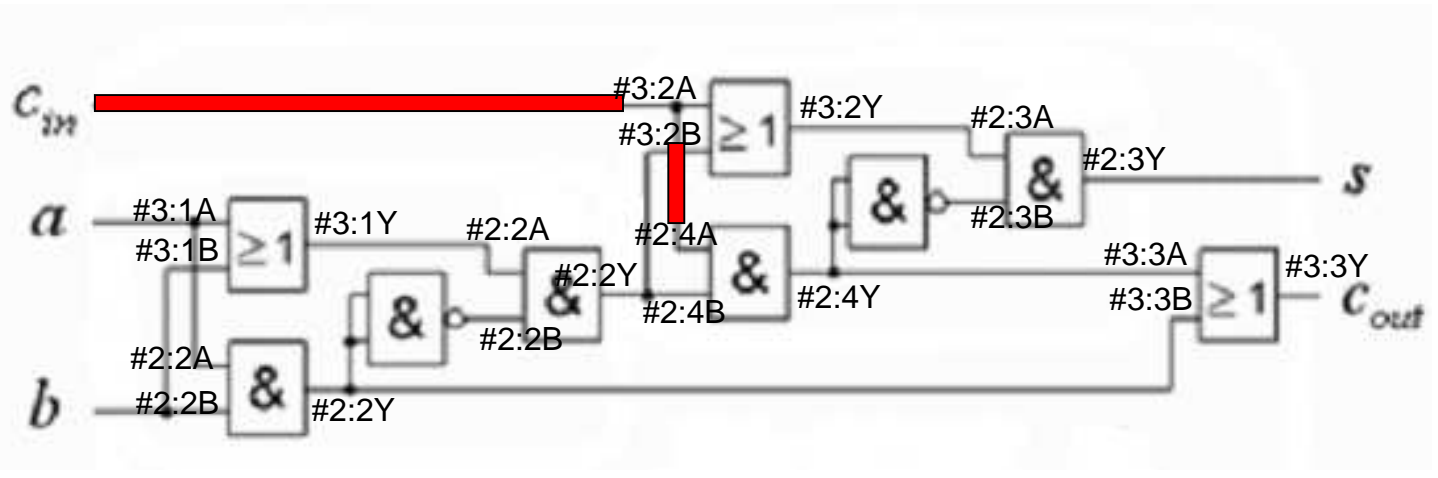
If needed one could now draw (route) a schematic in Fritzing



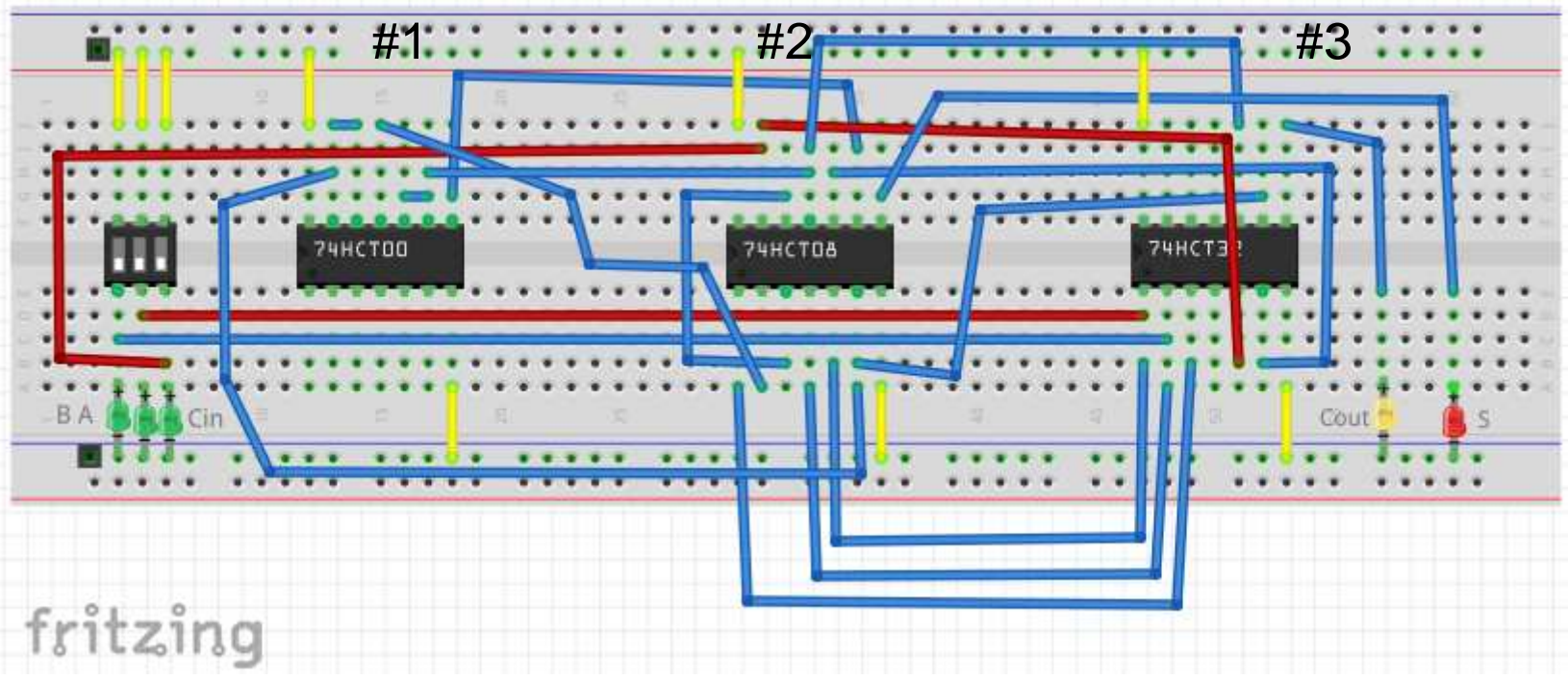
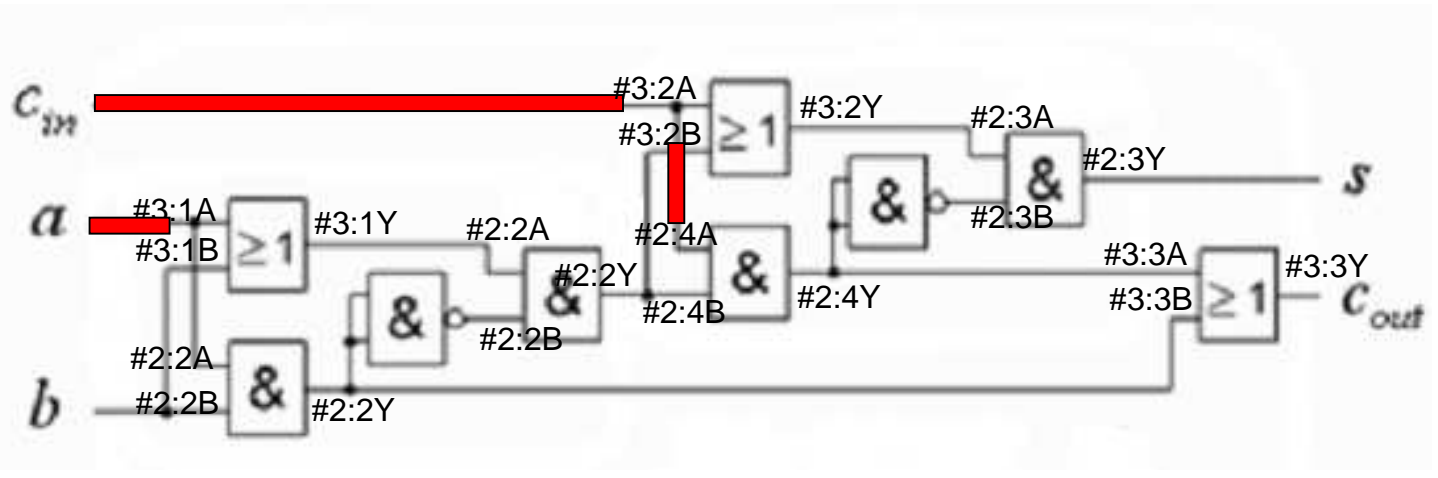
If needed one could use Fritzing to produce a printed circuit board, PCB.



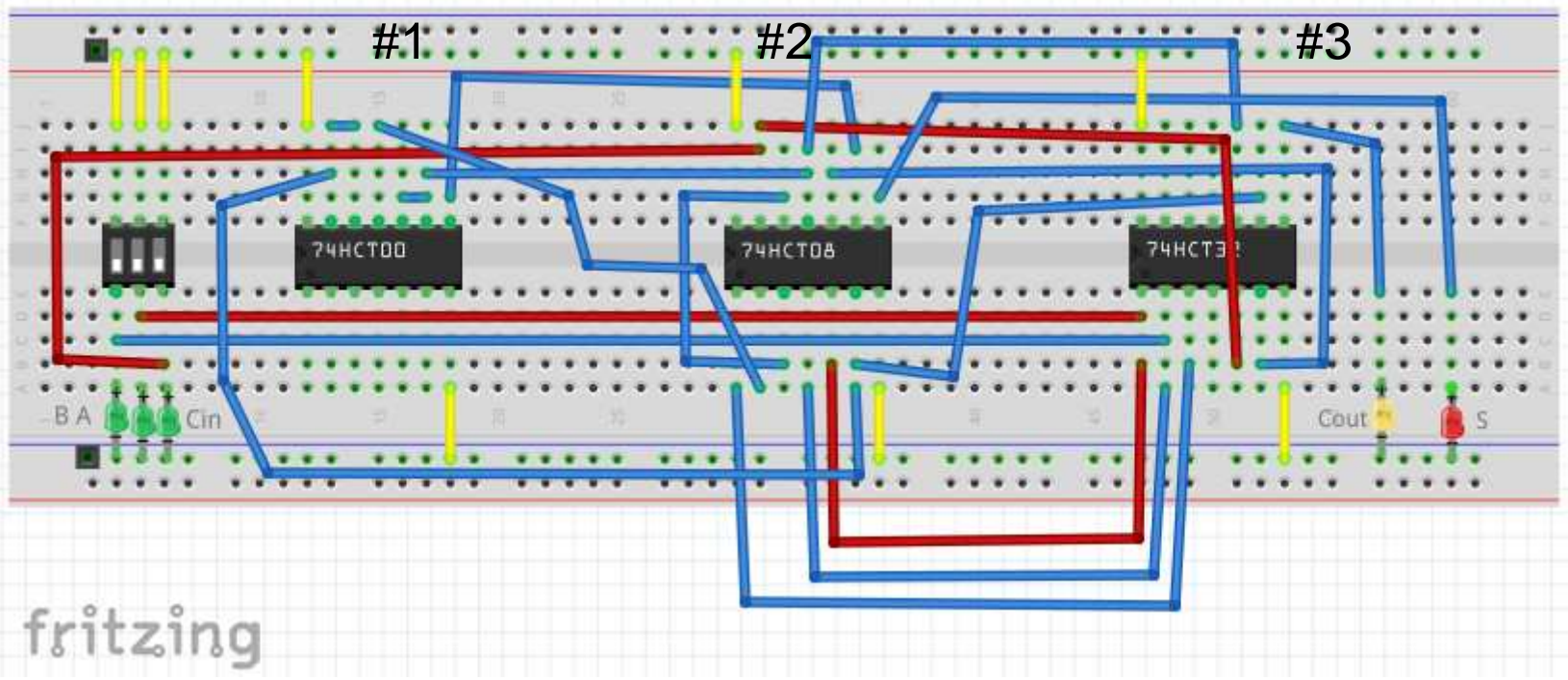
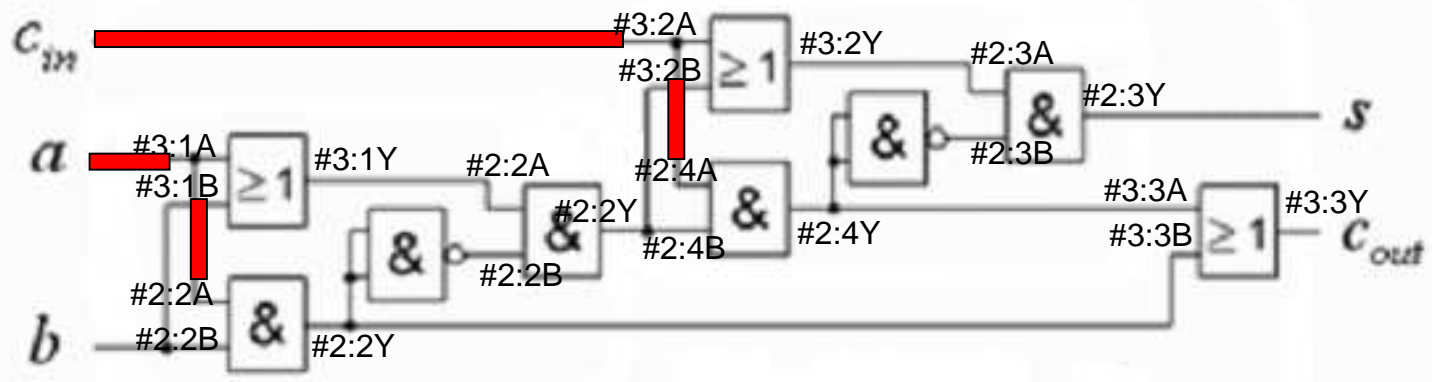


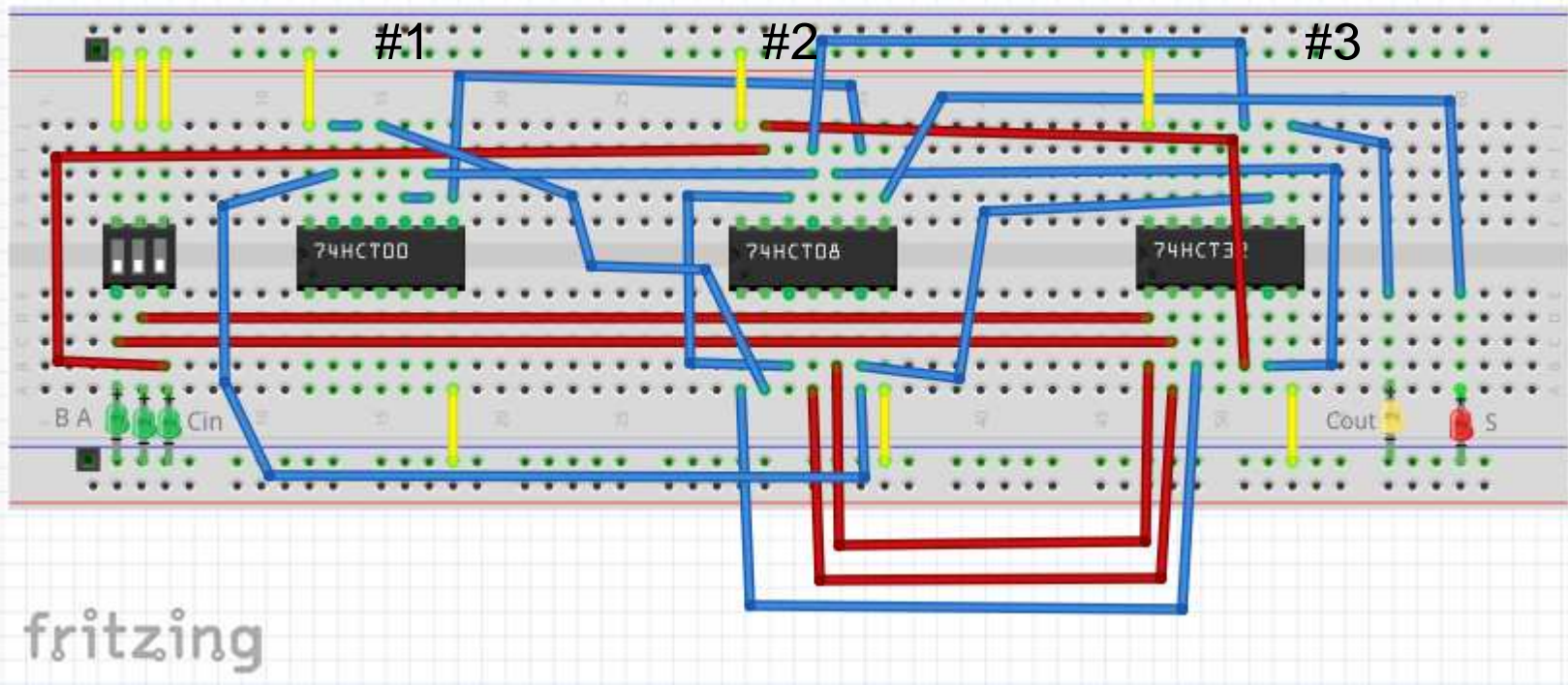
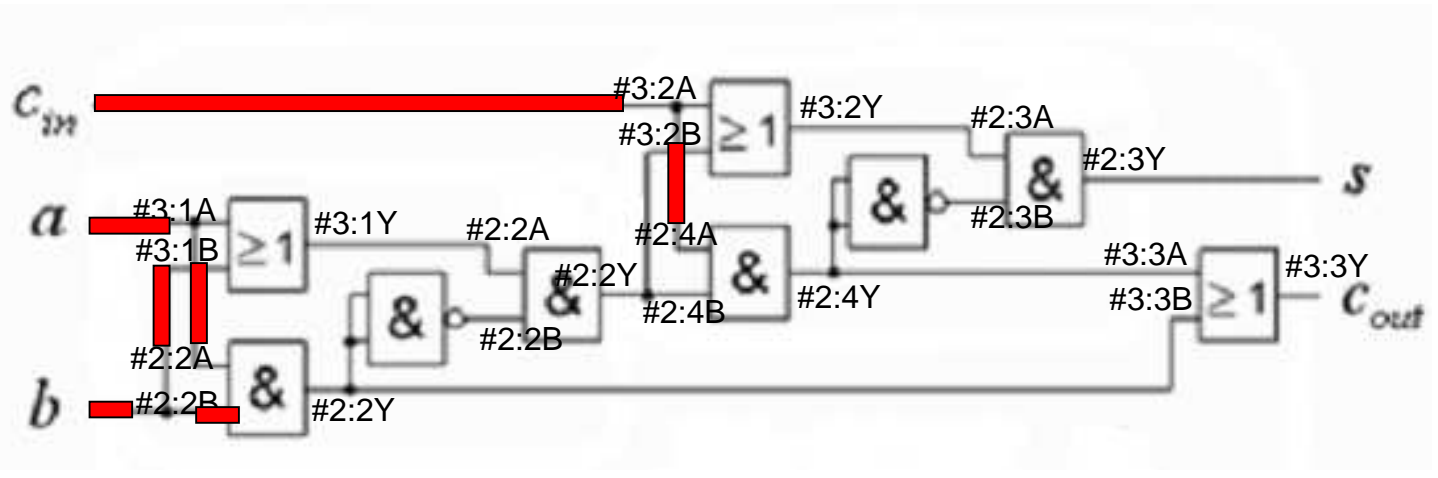


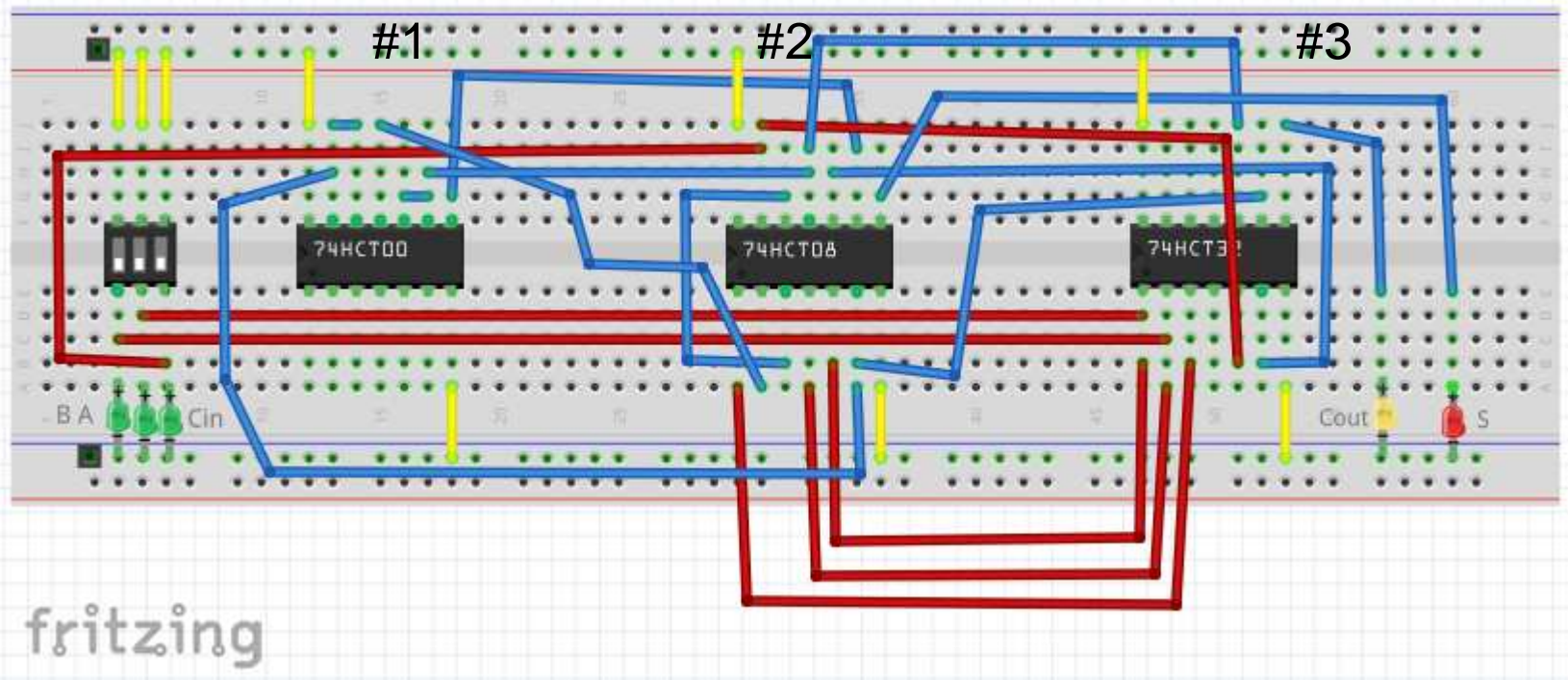
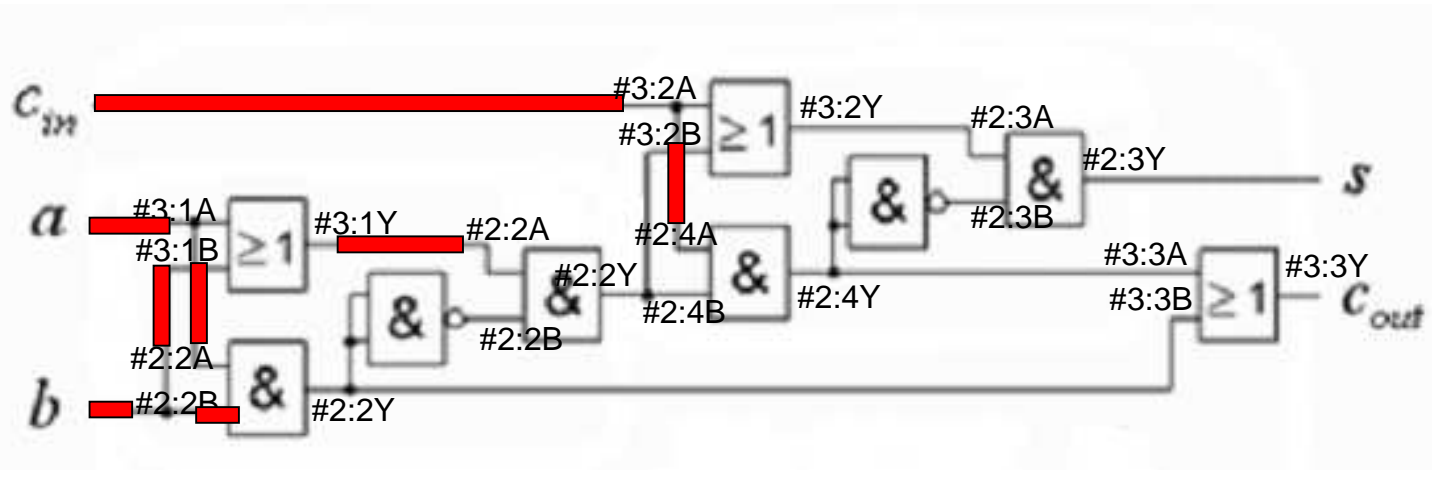
fritzing



fritzing







fritzing